

"THE MATERIAL HEREIN IS FOR INFORMATION PURPOSES ONLY AND IS SUBJECT TO CHANGE WITHOUT NOTICE. DIGITAL EQUIPMENT CORPORATION ASSUMES NO RESPONSIBILITY FOR ANY ERRORS WHICH MAY APPEAR HEREIN."

DRAWING DIRECTORY

"THIS DRAWING AND SPECIFICATIONS, HEREIN, ARE THE PROPERTY OF DIGITAL EQUIPMENT CORPORATION AND SHALL NOT BE REPRODUCED OR COPIED OR USED IN WHOLE OR IN PART AS THE BASIS FOR THE MANUFACTURE OR SALE OF ITEMS WITHOUT WRITTEN PERMISSION. COPYRIGHT © 1982 DIGITAL EQUIPMENT CORPORATION."

UNIT VARIATIONS	
VAR	TITLE
RB730-00	11730 DISK CONTROLLER

REVISIONS	REV.							digital	
	CHANGE NO.		USED ON OPTION/MODEL	DRN.	DATE	TITLE			
			11730	A. ROCHA	16APR82	11730 DISK CONTROLLER			
				CHK'D. <i>AMorin</i>	DATE 20 APR 82				
				PROJ. ENG. <i>DMhandrey</i>	DATE 20 APR 82	SIZE	CODE		NUMBER
CHK			PROD. <i>S.A. Castiglione</i>	DATE 21 APR 82	B	DD	RB730-0	A	
		SHEET 1 OF 2			DIST.				

FIND NO.	DRAWING NO.	DESCRIPTION	TYPE	FIND NO.	DRAWING NO.	DESCRIPTION	TYPE
1	MP01278	FIELD MAINTENANCE PRINT SET (MP)	-				
	B-TC-RB730-0-1	FIELD MAINTENANCE PRINT SET (TC)	-				
	B-DD-RB730-0	11730 DISK CONTROLLER - DMG. DIRECTORY	-				
	K-PL-PR730-0-DBP	11730 DISK CONTROLLER - PARTS LIST	-				
2	B-DD-M8388-0	INTEGRATED DISK CONTROLLER - DMG. DIRECTORY	-				
	D-UA-M8388-0-0	INTEGRATED DISK CONTROLLER - ASSEMBLY	E/M				
	K-PL-M8388-0-DBP	INTEGRATED DISK CONTROLLER - PARTS LIST	-				
	D-BD-M8388-0-0	INTEGRATED DISK CONTROLLER - BLOCK DIAGRAM	-				
	D-CS-M8388-0-X	INTEGRATED DISK CONTROLLER - CIRCUIT SCHEM. (-IDCA THRU -IDCP)	E				
	D-EC-5014452-0-0	INTEGRATED DISK CONTROLLER - ETCH CUT DMG.	E				
3	A-PL-7012938-0-0	UNIT SELECT PLUG KIT - PARTS LIST	-				

TYPE: E ELECTRICAL
 M MECHANICAL
 E/M ELECTRO/MECHANICAL



TITLE 11730 DISK CONTROLLER

SHEET 2 OF 2

SIZE CODE B DO

NUMBER RB730-0

REV A

LINE ITEM	DOCUMENT NUMBER	PART NUMBER	DESCRIPTION	QUANTITY PER VARIATION
1	1 B-DD-M8388-0)	M8388-00	RE730 IDC (INTEGRATED DISK CONTR	1
2	2 A-PL-7012938-D-0	7012938-00	70-12938 UNIT SELECT PLUG KIT	1
*****				*****
UNDERGOING CHANGE				*****

REVISION HISTORY		BASIC PART NO: RB730		DRN:	R.J. RILEY	DATE:	13-APR-82	DIGITAL			
ENG	ECO NUMBER	REV	SECTION A OF A	CHK'D:	R.J. RILEY	DATE:	13-APR-82	TITLE	PARTS LIST		
	INITIAL	A	SECTION. VARIATION INDEX	CHK'D:	R.J. RILEY	DATE:	13-APR-82	11730 DISK CONTROLLER			
			[A] 00	DES.ENG.:	B. MILLER	DATE:	13-APR-82				
			[B]	RESP.ENG.:	B. MILLER	DATE:	13-APR-82	DOCUMENT NUMBER			
			[C]	MFG.ENG.:	B. MILLER	DATE:	13-APR-82	SIZE CODE	NUMBER	REV	
			[D]	ASSEMBLY NUMBER:	B. MILLER	DATE:		K	PL	RB730-0-DBP	A
			[E]	TOP DOCUMENT NUMBER:	B. MILLER	DATE:		FILE NAME:	Z4258A.PLS	EDIT #	3
			[F]	#B-DD-RB730-0							

THIS DRAWING AND SPECIFICATIONS HEREIN, ARE THE PROPERTY OF DIGITAL EQUIPMENT CORPORATION AND SHALL NOT BE REPRODUCED OR COPIED OR USED IN WHOLE OR IN PART AS THE BASIS FOR THE MANUFACTURE OR SALE OF ITEMS WITHOUT WRITTEN PERMISSION. COPYRIGHT (C) 1982. DIGITAL EQUIPMENT CORPORATION

DRAWING NO.	NO. OF SHTS.	PART NO.	DESCRIPTION	REVISIONS
			MODULE REVISION	A
B-DD-M8388-0	1		IDC	A
D-UA-M8388-0-0	2		IDC	A
D-EG-5014452-0-0	3		ETCH CUT DRAWING	A
D-MD-5014452-0-0	5		DRILL & ETCH DRAWING	A
KPL-M8388-0-DBP	3		PL DATA BASE	A
KPGM8388-0-DBC			PC DATA BASE	B
KCS-M8388-0-DBS			CS DATA BASE	A
		5014452	ETCHED BOARD	B
DCS-M8388-0-IDCA	1	*	RLOZ DATA SEPARATOR	A
D-CS-M8388-0-IDCB	1	*	DSR, ADPS CNTR, R00 STATUS	A
D-CS-M8388-0-IDCC	1	*	IDCE PLOAD OUTREG BO L	A
D-CS-M8388-0-IDCD	1	*	RLOZ MEM ENCODING	A
D-CS-M8388-0-IDCE	1	*	PORTBUS INTERFACE	A
D-CS-M8388-0-IDCF	1	*	DAR, ECC, XCVRS	A
DCS-M8388-0-IDCH	1	*	CONTROL STATUS REGISTER	A
DCS-M8388-0-IDCJ	1	*	CLOCK SYNC & INTERRUPT	A
D-CS-M8388-0-IDCK	1	*	MICROSEQUENCER	A
D-CS-M8388-0-IDCL	1	*	RLOZ, R90 DRIVERS	A
D-CS-M8388-0-IDCM	1	*	RLOZ, R80 RECEIVERS	A
D-CS-M8388-0-IDCN	1	*	DISK CABLE CONNECTORS	A
			3V DIVIDER NETWORK	
DCS-M8388-0-IDCF	1	*	IDC BYPASS FILTER CAPS	A
D-BD-M8388-0-0	1	*	BLOCK DIAGRAM	A

NOTES: * CONTROL SOURCE IS DATA BASE
NO CONTROLLED PAPER ORIGINALS EXIST

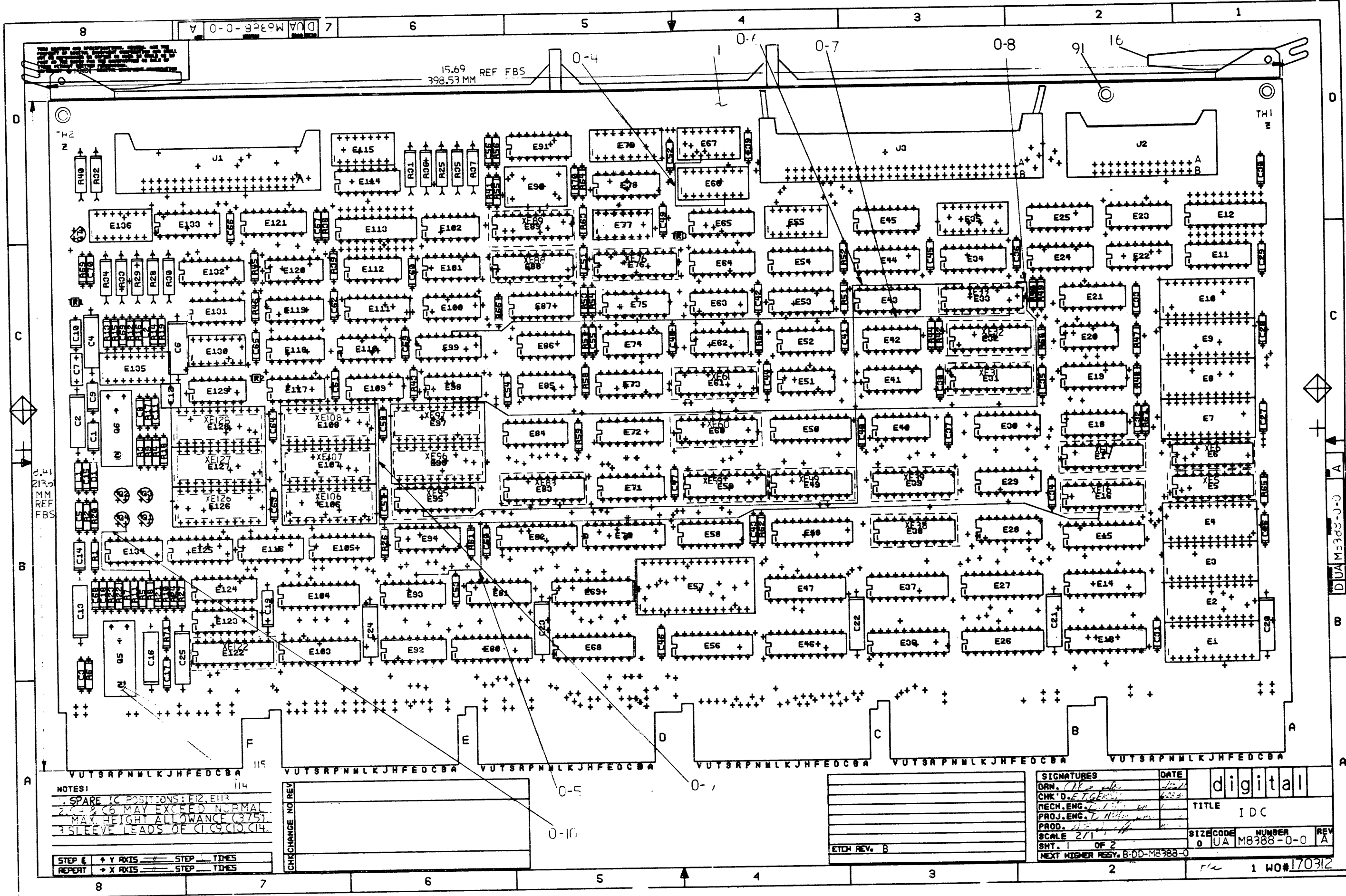
REVISIONS	REV.	DATE	CHG NO.

"THIS DRAWING AND SPECIFICATIONS, HEREIN, ARE THE PROPERTY OF DIGITAL EQUIPMENT CORPORATION AND SHALL NOT BE REPRODUCED OR COPIED OR USED IN WHOLE OR IN PART AS THE BASIS FOR THE MANUFACTURE OR SALE OF ITEMS WITHOUT WRITTEN PERMISSION.
COPYRIGHT © 1981 DIGITAL EQUIPMENT CORPORATION



USED ON OPTION/MODEL NEBULA	DRN. <i>[Signature]</i> 8-10-81	TITLE IDC
	CHK'D <i>[Signature]</i> 8-10-81	
	ENG. <i>[Signature]</i> DML 11/13/81	SIZE CODE NUMBER B DD M8388-0
	PROD. <i>[Signature]</i> 11/13/81	REV. A
		SHEET 1 OF 1

TW



NOTES:
 1. SPARE IC POSITIONS: E12, E13
 2. C1 - C6 MAY EXCEED NORMAL MAX. HEIGHT ALLOWANCE (3/5)
 3. SLEEVE LEADS OF C1, C9, C10, C14

STEP	+	Y	AXIS	STEP	TIMES
REPEAT	-	X	AXIS	STEP	TIMES

CHG	NO	REV

ETCH REV. B

SIGNATURES		DATE	digital
DWN. <i>[Signature]</i>		<i>[Date]</i>	
CHK'D. <i>[Signature]</i>		<i>[Date]</i>	TITLE IDC
TECH. ENG. <i>[Signature]</i>			
PROJ. ENG. <i>[Signature]</i>			
PROD. <i>[Signature]</i>			
SCALE 2/1	SIZE CODE	NUMBER	REV
SHT. 1 OF 2	0 UA M8388-0-0		A
NEXT HIGHER ASSY. B:00-M8388-0			

1 WO# 170312

8

UA M8388-0-0

6

5

4

3

2

1

THIS DRAWING AND SPECIFICATIONS HEREBY ARE THE PROPERTY OF DIGITAL EQUIPMENT CORPORATION AND SHALL NOT BE REPRODUCED OR COPIED OR USED IN WHOLE OR IN PART AS THE BASIS FOR THE MANUFACTURE OR SALE OF THIS WITHOUT WRITTEN PERMISSION.
COPYRIGHT © 1961 DIGITAL EQUIPMENT CORPORATION

D

D

REWORK INSTRUCTIONS:

WIRE ADDS SIDE 1

- 0-4 FROM E67-03 TO E66-06
- 0-5 FROM PTH NEAR E93-12 TO PTH BETWEEN R61 & C50
- 0-6 FROM E95-04 TO E33-18
- 0-7 FROM E33-09 TO E99-12
- 0-8 FROM E97-15 TO E33-11
- 0-9 FROM E109-02 TO E16-05
- 0-10 FROM COLLECTOR OF Q4 TO TOP OF R8

C

C

B

B

UA M8388-0-0 A

A

A

REVISION HISTORY		
DATE	ECO NUMBER	REV.

981374

8

7

6

5

4

3

2

1

TITLE
IDC

DOCUMENT NUMBER		
SIZE CODE	NUMBER	REV.
DUA	M8388-0-0	A
SCALE NONE		SHEET 2 OF 2

tu

AUTOMATED BY PRTLST.3P(44)

PARTS LIST

SHEET A1 OF A3

LINE	ITEM	DOCUMENT NUMBER	PART NUMBER	DESCRIPTION	QTY	PER VARIATION	REFERENCE DESIGNATOR
1	1	D-MD-5014452-0-0	5014452-00	DRILL AND ETCH M8388	1		
2	2		1000222-00	270.0 MMF 100V 5%200PPM MICA	1		C7
3	3		1001776-00	1 MFD 35V 10% S.TANT	1		C19
4	4		1010546-00	.015 MFD 50V 2% M.POLYCARB	1		C6
5	5		1012784-00	.047 MFD 50V +50-20% CER	49		C3, C8, C17, C18, C25-C70
6	6		1013456-02	18.0 MMF 50V 5% CER	1		C11
7	7		1013466-08	680.0 MMF 50V 10% X7R CER	2		C5, C15
8	8		1013466-11	.22 MFD 50V +80-20% Z5U CER	4		C1, C9, C10, C14
9	9		1016628-00	7.0 MMF TO 30.0 MMF TRIMMER	1		C12
10	10		1017472-00	10 MFD 35V +50-10% AL EL	10		C2, C4, C13, C16, C20-C25
11	11		1111577-00	1N 4454 TR= 4NS PIV= 50 S	1		D1
12	12		1209341-02	HEADER 100 40POS RT ANGLE	1		J1
13	13		1209341-03	HEADER 26POS RT ANGLE RCPT	1		J2
14	106		1215006-04	SKT, IC 20PIN DIP TIN PLATE	19		CONT XE33, XE49, XE76, XE5, XE6, XE15, XE60, XE61, XE88, XE89, XE95, XE17, XE32, XE83, XE39, XE59, XE122, XE39, XE31
15	105		1215006-05	SKT, IC 22PIN DIP TIN PLATE	8		CONT XE96, XE97, XE105-XE108, XE126-XE128
16	15		1216832-04	HEADER 50POS WITH LATCHES	1		J3
17	16		1216833-02	HANDLE MODULE HEX TWO EJECTORS	1		
18	17		1300005-02	R NETWORK 13-5 SK 5.0 % 14PIN	2		E55, E57
19	18		1300005-04	R NETWORK 15-470 5.0 % 16PIN	1		C125
20	19		1300005-05	R NETWORK 13-93 5.0 % 14PIN	2		E115, E135
21	20		1300005-03	R NETWORK 15-56 5.0 % 16PIN	2		E35, E55, E79
22	21		1300223-00	100.0 .25 W 5.0 % CC	16		R3, R4, R9, R59-R71
23	22		1300295-00	330.0 .25 W 5.0 % CC	9		R26, R45, R48, R50, R52, R54, R55, R59, R74
24	23		1300316-00	470.0 .25 W 5.0 % CC	2		R18, R23
25	24		1300365-00	1.0 K .25 W 5.0 % CC	2		R24, R38

REVISION HISTORY		BASIC PART NO: M8388		DRN: J CASY	DATE: 17-NOV-81	D I G I T A L L	
ENG: ECO NUMBER	REV	SECTION A OF A		CHK'D: E.T.GERRY	DATE: 17-NOV-81	TITLE PARTS LIST	
R.D. M8388-TW001	A	SECTION VARIATION INDEX		DES. ENG: DAVE MILLER	DATE: 17-NOV-81	IDC	
	B	[A]	00	RESP. ENG.: DAVE MILLER	DATE: 17-NOV-81	DOCUMENT NUMBER	
		[B]		MFG. ENG.: W WYCKOFF	DATE: 17-NOV-81	SIZE: K	CODE: PL
		[C]		ASSEMBLY NUMBER: D-UA-M8388-0-0	TOP DOCUMENT NUMBER:	NUMBER: M8388-0-DBP	REV: 8
		[D]				FILE NAME: Z12908.PLS	EDIT: 14
		[E]					
		[F]					
		[G]					
		[H]					
		[I]					
		[J]					
		[K]					
		[L]					
		[M]					
		[N]					

THIS DRAWING AND SPECIFICATIONS HEREIN ARE THE PROPERTY OF DIGITAL EQUIPMENT CORPORATION AND SHALL NOT BE REPRODUCED OR COPIED OR USED IN WHOLE OR IN PART AS THE BASIS FOR THE MANUFACTURE OR SALE OF ITEMS WITHOUT WRITTEN PERMISSION. COPYRIGHT (C) 1982. DIGITAL EQUIPMENT CORPORATION

LINE	ITEM	DOCUMENT NUMBER	PART NUMBER	DESCRIPTION	QTY PER VARIATION	REFERENCE DESIGNATOR
26	25		1300398-00	1.80 K .25 W 5.0 % CC	1	R20
27	25		1300447-00	4.70 K .25 W 5.0 % CC	2	R12, R39
28	27		1301320-00	1.20 K .25 W 5.0 % CC	1	R16
29	28		1301424-00	680.0 .25 W 5.0 % CC	7	R45, R47, R48, R51, R53, R55, R57
30	29		1301791-00	82.0 .50 W 5.0 % CC	12	R35, R36, R37, R38
31	30		1302091-00	330.0 K .25 W 5.0 % CC	1	R27
32	31		1302612-00	1.79 K .25 W 1.0 % RN550-F10	1	R14
33	32		1302971-00	1.21 K .25 W 1.0 % RN550-F10	2	R7, R23
34	33		1302972-00	581.0 .25 W 1.0 % RN550-F10	2	R1, R2
35	34		1302974-00	147.0 .25 W 1.0 % RN550-F10	1	R15
36	35		1302941-00	14.70 K .25 W 1.0 % RN550-F10	1	R15
37	36		1302956-00	195.0 .25 W 1.0 % RN550-F10	1	R11
38	37		1303312-00	10.0 K .25 W 1.0 % RN550-F10	1	R13
39	38		1305122-00	51.10 .25 W 1.0 % RN550-F10	1	R10, R10
40	39		1305126-00	619.0 .25 W 1.0 % RN550-F10	1	R10, R11
41	40		1309413-00	3.93 K .25 W 1.0 % RN550-F10	1	R17
42	41		1310534-00	2.57 K .25 W 1.0 % RN550-F10	1	R16
43	42		1503409-01	DEC65548 PNP 310MW SI 40 90 P	1	R27
44	43		1512499-01	2N 4401 NPN 350MW SI 40 20	1	R24
45	44		1513490-01	2N 4403 PNP 350MW SI 40 30	1	R3, R1
46	45		1603359-00	12.0 UH 10% 300MA .0012.0	1	L1, L2
47	46		1610553-00	DELAY= 50NS, 10TAPS WITH TTLBJ	1	R17
48	47		1610553-01	DELAY= 100NS, 10TAPS WITH TTLBJ	1	R17
49	48		1811550-12	OSCILLATOR, XTAL 8.200 MHz	1	R17
50	49		1910532-00	74500 NAND GATE-QUAD 2IN	1	R10, R11, R12, R13, R14, R15, R16, R17, R18, R19, R20, R21, R22, R23, R24, R25, R26, R27, R28, R29, R30, R31, R32, R33, R34, R35, R36, R37, R38, R39, R40, R41, R42, R43, R44, R45, R46, R47, R48, R49, R50, R51, R52, R53, R54, R55, R56, R57, R58, R59, R60, R61, R62, R63, R64, R65, R66, R67, R68, R69, R70, R71, R72, R73, R74, R75, R76, R77, R78, R79, R80, R81, R82, R83, R84, R85, R86, R87, R88, R89, R90, R91, R92, R93, R94, R95, R96, R97, R98, R99, R100
51	50		1910534-00	74504 INVERTER GATE-HEX 1I	1	R10, R11, R12, R13, R14, R15, R16, R17, R18, R19, R20, R21, R22, R23, R24, R25, R26, R27, R28, R29, R30, R31, R32, R33, R34, R35, R36, R37, R38, R39, R40, R41, R42, R43, R44, R45, R46, R47, R48, R49, R50, R51, R52, R53, R54, R55, R56, R57, R58, R59, R60, R61, R62, R63, R64, R65, R66, R67, R68, R69, R70, R71, R72, R73, R74, R75, R76, R77, R78, R79, R80, R81, R82, R83, R84, R85, R86, R87, R88, R89, R90, R91, R92, R93, R94, R95, R96, R97, R98, R99, R100
52	51		1910535-00	74510 NAND GATE-TRIPLE 3IN	1	R10, R11, R12, R13, R14, R15, R16, R17, R18, R19, R20, R21, R22, R23, R24, R25, R26, R27, R28, R29, R30, R31, R32, R33, R34, R35, R36, R37, R38, R39, R40, R41, R42, R43, R44, R45, R46, R47, R48, R49, R50, R51, R52, R53, R54, R55, R56, R57, R58, R59, R60, R61, R62, R63, R64, R65, R66, R67, R68, R69, R70, R71, R72, R73, R74, R75, R76, R77, R78, R79, R80, R81, R82, R83, R84, R85, R86, R87, R88, R89, R90, R91, R92, R93, R94, R95, R96, R97, R98, R99, R100
53	52		1910542-00	74554 A-0-1 GATE 4-2-3-2	1	R10, R11, R12, R13, R14, R15, R16, R17, R18, R19, R20, R21, R22, R23, R24, R25, R26, R27, R28, R29, R30, R31, R32, R33, R34, R35, R36, R37, R38, R39, R40, R41, R42, R43, R44, R45, R46, R47, R48, R49, R50, R51, R52, R53, R54, R55, R56, R57, R58, R59, R60, R61, R62, R63, R64, R65, R66, R67, R68, R69, R70, R71, R72, R73, R74, R75, R76, R77, R78, R79, R80, R81, R82, R83, R84, R85, R86, R87, R88, R89, R90, R91, R92, R93, R94, R95, R96, R97, R98, R99, R100
54	53		1910544-00	74574 FF-D DUAL, EDGE TRIGG	4	R10, R11, R12, R13, R14, R15, R16, R17, R18, R19, R20, R21, R22, R23, R24, R25, R26, R27, R28, R29, R30, R31, R32, R33, R34, R35, R36, R37, R38, R39, R40, R41, R42, R43, R44, R45, R46, R47, R48, R49, R50, R51, R52, R53, R54, R55, R56, R57, R58, R59, R60, R61, R62, R63, R64, R65, R66, R67, R68, R69, R70, R71, R72, R73, R74, R75, R76, R77, R78, R79, R80, R81, R82, R83, R84, R85, R86, R87, R88, R89, R90, R91, R92, R93, R94, R95, R96, R97, R98, R99, R100
55	54		1910549-00	745159 MUX 1 OF 2 (QUAD)	1	R10, R11, R12, R13, R14, R15, R16, R17, R18, R19, R20, R21, R22, R23, R24, R25, R26, R27, R28, R29, R30, R31, R32, R33, R34, R35, R36, R37, R38, R39, R40, R41, R42, R43, R44, R45, R46, R47, R48, R49, R50, R51, R52, R53, R54, R55, R56, R57, R58, R59, R60, R61, R62, R63, R64, R65, R66, R67, R68, R69, R70, R71, R72, R73, R74, R75, R76, R77, R78, R79, R80, R81, R82, R83, R84, R85, R86, R87, R88, R89, R90, R91, R92, R93, R94, R95, R96, R97, R98, R99, R100
56	55		1910550-00	745174 FF-D HEX	1	R10, R11, R12, R13, R14, R15, R16, R17, R18, R19, R20, R21, R22, R23, R24, R25, R26, R27, R28, R29, R30, R31, R32, R33, R34, R35, R36, R37, R38, R39, R40, R41, R42, R43, R44, R45, R46, R47, R48, R49, R50, R51, R52, R53, R54, R55, R56, R57, R58, R59, R60, R61, R62, R63, R64, R65, R66, R67, R68, R69, R70, R71, R72, R73, R74, R75, R76, R77, R78, R79, R80, R81, R82, R83, R84, R85, R86, R87, R88, R89, R90, R91, R92, R93, R94, R95, R96, R97, R98, R99, R100
57	56		1910552-00	745194 SHIFT REG. 4BIT RIGH	1	R10, R11, R12, R13, R14, R15, R16, R17, R18, R19, R20, R21, R22, R23, R24, R25, R26, R27, R28, R29, R30, R31, R32, R33, R34, R35, R36, R37, R38, R39, R40, R41, R42, R43, R44, R45, R46, R47, R48, R49, R50, R51, R52, R53, R54, R55, R56, R57, R58, R59, R60, R61, R62, R63, R64, R65, R66, R67, R68, R69, R70, R71, R72, R73, R74, R75, R76, R77, R78, R79, R80, R81, R82, R83, R84, R85, R86, R87, R88, R89, R90, R91, R92, R93, R94, R95, R96, R97, R98, R99, R100
58	57		1910557-00	745175 FF-D QUAD COMMON CLO	2	R10, R11, R12, R13, R14, R15, R16, R17, R18, R19, R20, R21, R22, R23, R24, R25, R26, R27, R28, R29, R30, R31, R32, R33, R34, R35, R36, R37, R38, R39, R40, R41, R42, R43, R44, R45, R46, R47, R48, R49, R50, R51, R52, R53, R54, R55, R56, R57, R58, R59, R60, R61, R62, R63, R64, R65, R66, R67, R68, R69, R70, R71, R72, R73, R74, R75, R76, R77, R78, R79, R80, R81, R82, R83, R84, R85, R86, R87, R88, R89, R90, R91, R92, R93, R94, R95, R96, R97, R98, R99, R100
59	58		1911341-00	75113 DRIVER, LINE, DUAL, MA	8	R21, R23, R43, R44, R53, E114, E132, E133
60	61		1911579-00	8641 TRANSCEIVER, BUS, QUA	1	E133
61	62		1911675-00	745139 DECODER/DEMUX 3-8 LIN	1	E81
62	63		1911712-00	74551 AND-OR GATE-INVERT D	2	E59, E71, E72
63	64		1911911-00	DEC 745124 OSCILLATOR, DUAL VOLT	1	E20, E103
64	65		1912399-00	74502 NOR GATE-QUAD 2IN, PO	1	E135
65	66		1912399-00	74508 AND GATE-QUAD 2IN, PO	1	E96, E112
66	67		1912535-00	DEC 7305 VOLT REG. FIX +5V	1	E52, E120
67	68		1912547-00	LS257 MUX 1 OF 2 (QUAD)	1	E6
68	69		1912728-00	745251 MUX 1 OF 8 TRI-STA	1	E11, E32
69	70		1912746-00	DEC 74537 NAND GATE-QUAD 2IN	1	E94, E94, E135
70	71		1912937-00	LS123 ONE SHOT-DUAL RETRIG	1	E74
71	72		1912947-00	LS157 MUX 1 OF 2 (QUAD)	1	E123
72	73		1912972-00	LS377 FF-D 8BIT W/ENABLE	1	E54
						E70

CONT

D I G I T A L	TITLE	IDC	SECTION A OF A	SIZE	CODE	DOCUMENT NUMBER	REV
				K	PL	19388-0-253	2

AUTOMATED BY FRTLST.3P(44)

PARTS LIST

SHEET A3 OF A3

LINE	ITEM	DOCUMENT NUMBER	PART NUMBER	DESCRIPTION	QTY PER VARIATION	REFERENCE DESIGNATOR
73	74		1912951-00	DM 8556 COUNTER, BINARY, 4BIT	5	E18, E19, E28-E30
74	75		1913017-00	3046 XSISTOR ARRAY, 3 ISOL	1	E134
75	76		1913571-00	745374 FF-D OCTAL TRISTATE	8	E13-E15, E27, E36, E37, E56, E69
76	77		1913777-00	LS240 DRIVER, LINE, OCTAL T	1	E50
77	78		1913939-00	DC 102A EQUALS CHECKER 98BIT	1	E104
78	79		1914082-00	745163 COUNTER, SYNCH UP/COW	2	E116, E124
79	80		1914437-00	7905 VOLT REG, FIX -5V	1	Q5
80	81		1914972-00	3450 RECEIVER, LINE, QUAD,	6	E34, E45, E55, E78, E91, E121
81	82		1915101-00	DCC07 ECC CHIP 28PIN	1	E57
82	83		1915183-00	LS244 DRIVER, LINE, OCTAL T	4	E48, E80, E82, E103
83	84		1915218-00	LS245 TRANSCIVER, BUS, OCT	4	E26, E46, E47, E63
84	85		1915597-00	RAM 256X4 TRI-STATE	8	E1-E4, E7-E10
85	86		230009X-00	K5-01	1	E39
86	87		230009X-00	K5-01	1	E38
87	88		230108X-00	K4-01	1	E6
88	89		230108X-00	K4-01	1	E17
89	90		230108X-00	K5-01	1	E59
90	91		230108X-00	K4-01	1	E61
91	92		230108X-00	D2-01	1	E127
92	93		230108X-00	D2-01	1	E107
93	94		230108X-00	D2-01	1	E105
94	95		230108X-00	K4-01	1	E123
95	96		230108X-00	D2-01	1	E109
96	97		230108X-00	K4-01	1	E33
97	98		230108X-00	D2-01	1	E95
98	99		230108X-00	K4-01	1	E83
99	100		230108X-00	D2-01	1	E123
100	101		230108X-00	D2-01	1	E97
101	102		23033K3-00	K3-01	1	E126
102	103		23033K3-00	K3-01	1	E5
103	104		23033K3-00	K3-01	1	E84
104	105		23033K3-00	K3-01	1	E60
105	106		23043J5-00	J5-01	1	E76
106	107		23050J5-00	J5-01	1	E49
107	108		23052J5-00	J5-01	1	E31
108	109		23051K3-00	K3-01	1	E16
109	110		23052K3-00	K3-01	1	E95
110	111		23054K3-00	K3-01	1	E88
111	112		23056J5-00	J5-01	1	E33
112	113		9006555-00	NUT HEX 4-40X1/4 AF X 3/	2	
113	114		9009301-00	SCREEN PAN, PHIL 4-40X 1/4 SS	2	
114	115		9009300-00	EYELET ROLLED 0.1210XD0.155	12	
115	116		9009143-00	PIN, STAKING, P.C. BOARD, .025 X	3	TP1-TP3
116	117		9105740-00	WIRE (WRAP) 30AWG UL1423	A/R	
117	118		9107278-11	TUBING, THIN WALL, .042ID UL	A/R	
118	119		1303371-00	25.0 .25 W 5.0 % CC	1	R72
119			1919765-01	75114 LINE DRIVER, DUAL DIF	3	E24, E25, E54

D I G I T A L	TITLE	SECTION A OF A	SIZE: CODE: DOCUMENT NUMBER: REV
	IDC		K PL M3398-3-08P 8

8

DEC 5014452-0-0 A

6

5

4

3

2

1

LAYER 1

CS*ABCDEFGHIJKLMNPRS
RLO2

J1 E115

E91

E79

E67

SIDE 1

digital

E136

P80

J3

E25

E23

P80

J2

E12

M8388

5014452B

0-1

0-2

digital

Thomas F. Walsh	7/2/51	ETCH CUT DRAWING
Thomas F. Walsh	7/22/51	
M. Miller	5.8	
M. Miller	3.8	
J. DeLoeff	11	
DEC 5014452-0-0 A		

8

7

6

5

4

3

2

1

1

REV
DATE
EQU NUMBER

DEC 5014452-0-0 A

8

DEC 5014452-0-0 A

9

5

4

3

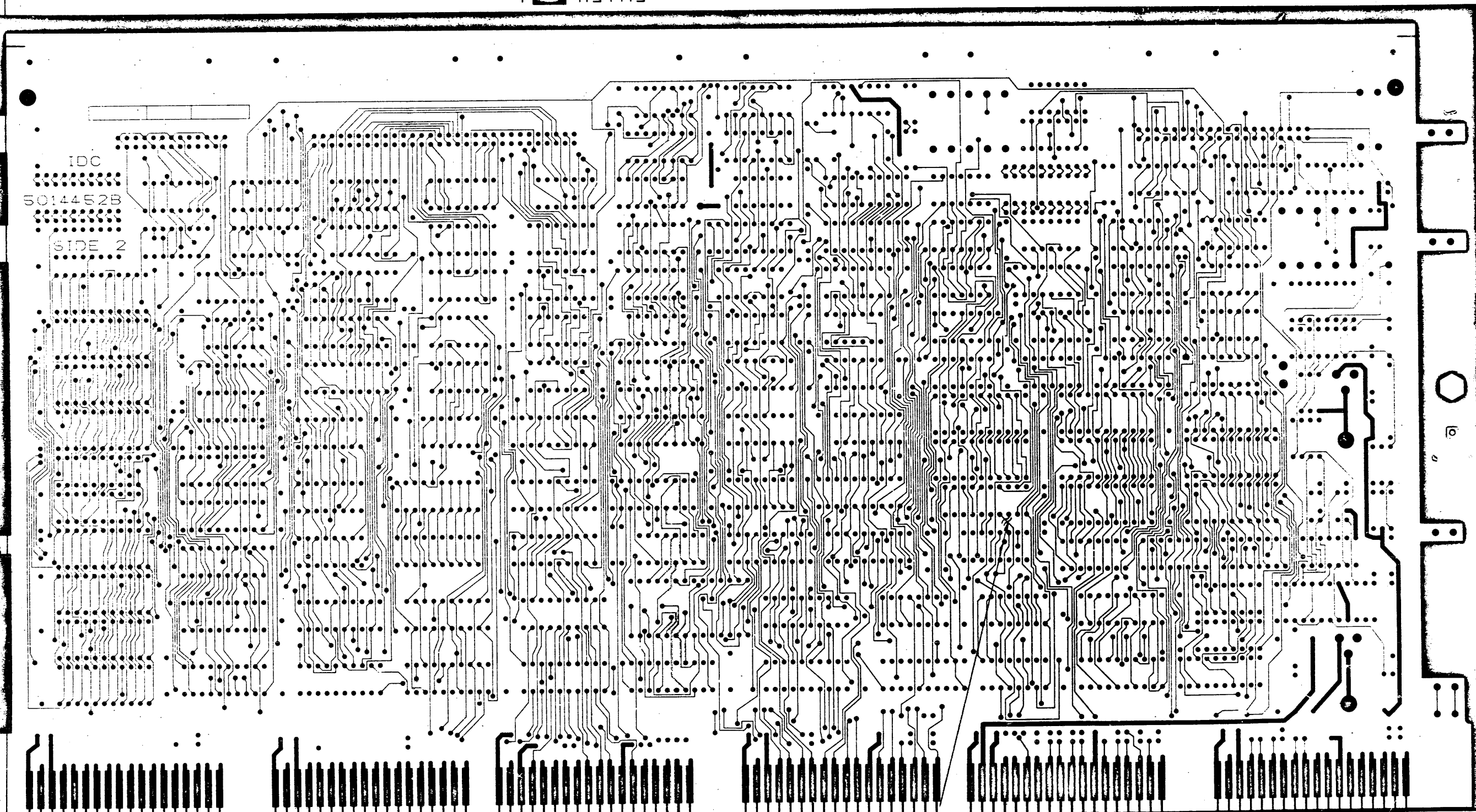
2

1

DATE: 12/15/61
DRAWN BY: [Illegible]
CHECKED BY: [Illegible]
APPROVED BY: [Illegible]

LAYER PA

IDC
5014452B
SIDE 2



D

C

A

B

A

DEC 5014452-0-0 A

A

03

DATE	DESIGNER	REV.

TITLE
ETCH CUT DRAWING

REV. NUMBER		REV.
NO.	DATE	BY
1	DEC 15 1961	A

8

7

6

5

4

3

2

1

8

7 0-0-2544105 DEC 5000 321

6

5

4

3

2

1

THIS DRAWING AND SPECIFICATIONS HEREON ARE THE PROPERTY OF DIGITAL EQUIPMENT CORPORATION AND SHALL NOT BE REPRODUCED OR COPIED OR USED IN WHOLE OR IN PART AS A BASIS FOR THE MANUFACTURE OR SALE OF ITEMS WITHOUT WRITTEN PERMISSION. COPYRIGHT © 1971 DIGITAL EQUIPMENT CORPORATION

REWORK INSTRUCTIONS:

ETCH CUT SIDE 1:

0-1 AT E95-4 0-2 REMOVE "+" SIGNS

ETCH CUT SIDE 2:

0-3 AT E95-4

D

D

C

C

B

B

A

A

DEC 5014452 0 0 A

REVISION HISTORY		
DATE	ECO NUMBER	REV.

TITLE
ETCH CUT DRAWING

DOCUMENT NUMBER		
SIZE CODE	NUMBER	REV.
DEC	5014452-0-0	A
SCALE NONE	SHEET 3 OF 3	

8

7

6

5

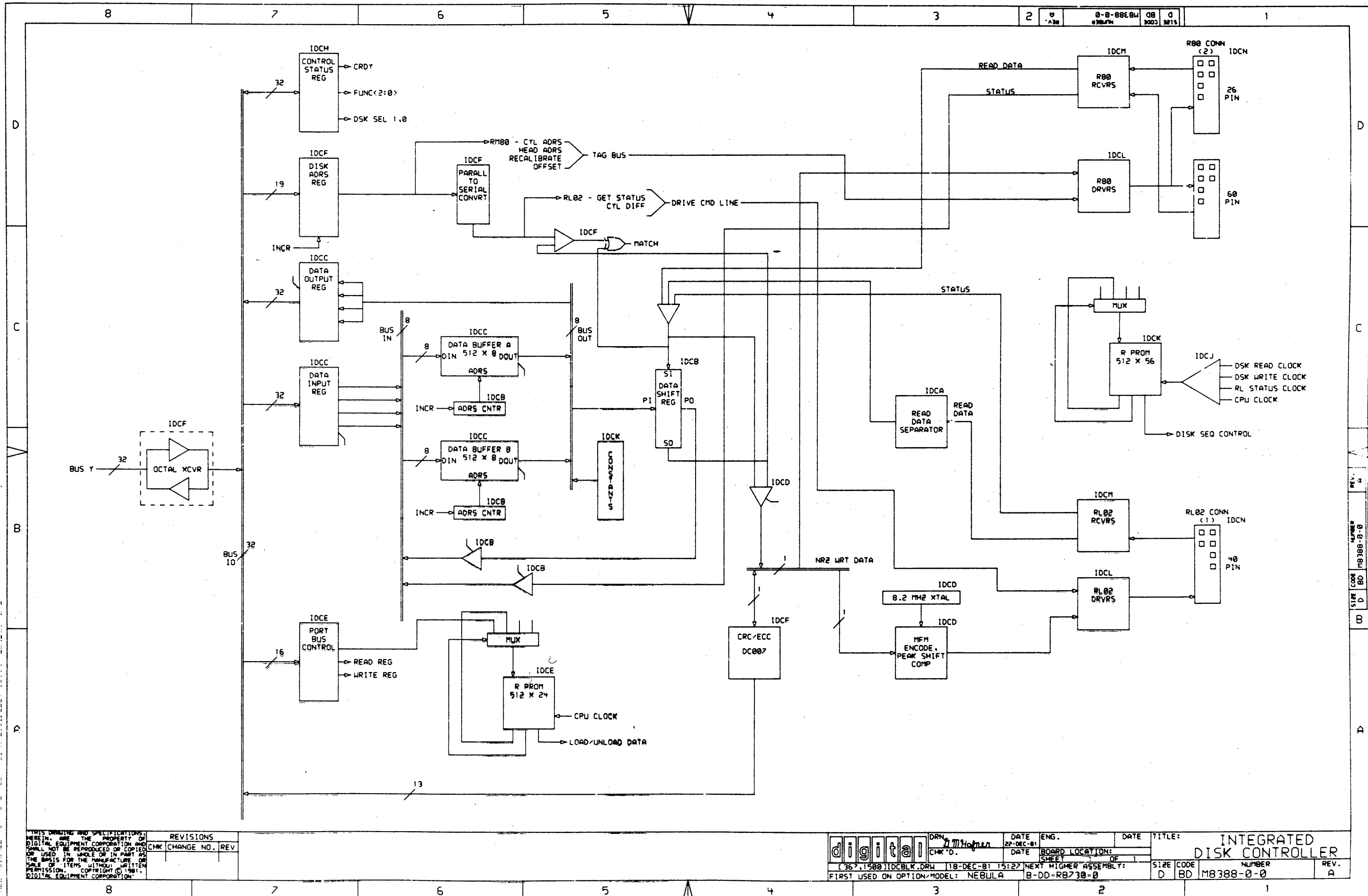
4

3

2

1

TW

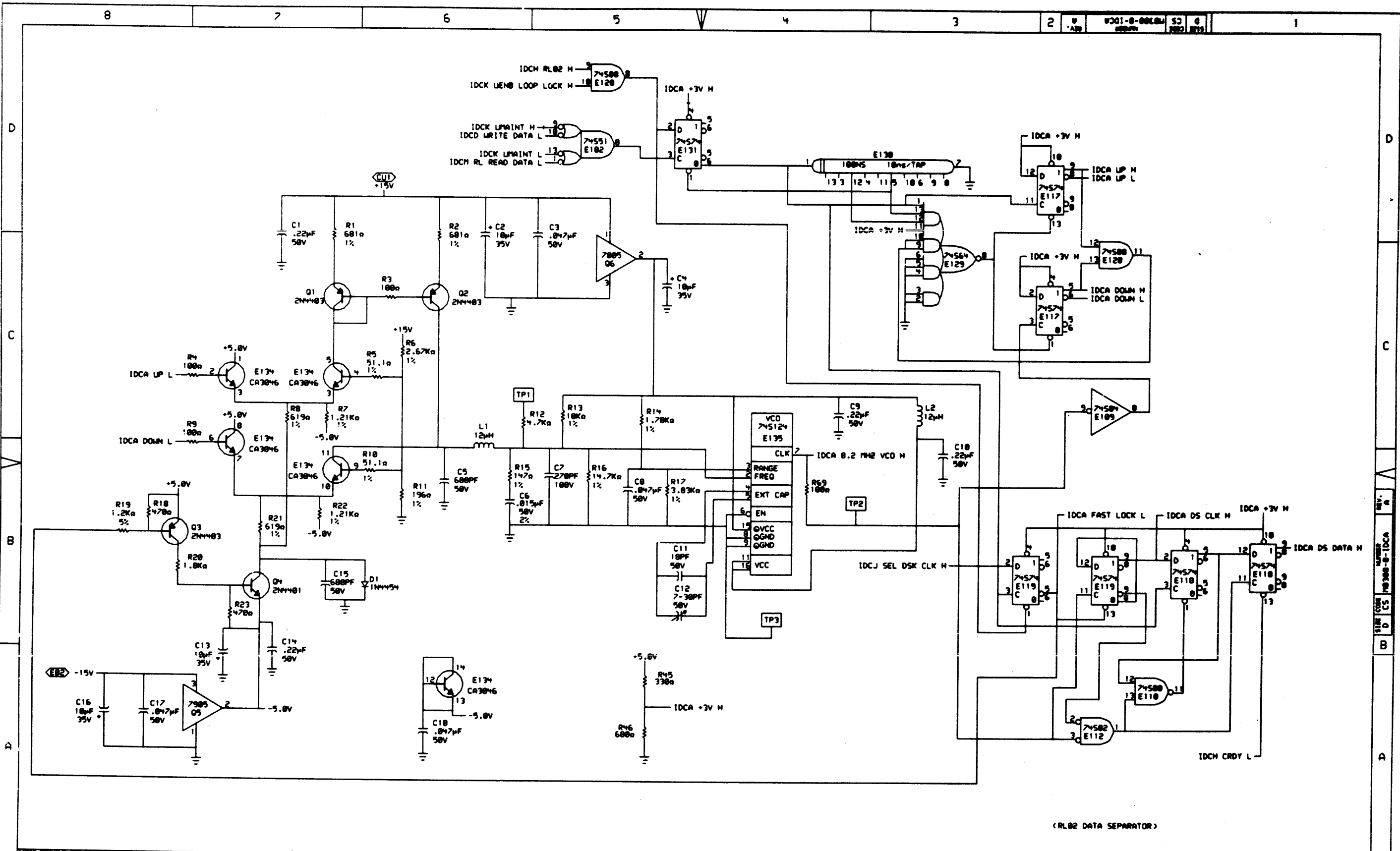


THIS DRAWING AND SPECIFICATIONS HEREIN ARE THE PROPERTY OF DIGITAL EQUIPMENT CORPORATION AND SHALL NOT BE REPRODUCED OR COPIED OR USED IN WHOLE OR IN PART AS THE BASIS FOR THE MANUFACTURE OR SALE OF ITEMS WITHOUT WRITTEN PERMISSION. COPYRIGHT © 1981 DIGITAL EQUIPMENT CORPORATION.

REVISIONS	
CHK	CHANGE NO. REV

357,1500	IDCBLK.DRW	18-DEC-81	15:27	NEXT HIGHER ASSEMBLY:
FIRST USED ON OPTION/MODEL:				NEBULA B-DD-RB730-0

digital	DRN	DATE	ENG.	DATE	TITLE:
	CHK'D.	DATE	BOARD LOCATION:	SHEET	OF 1
INTEGRATED DISK CONTROLLER					REV. A
SIZE	CODE	NUMBER	REV.		
D	BD	M8388-0-0	A		



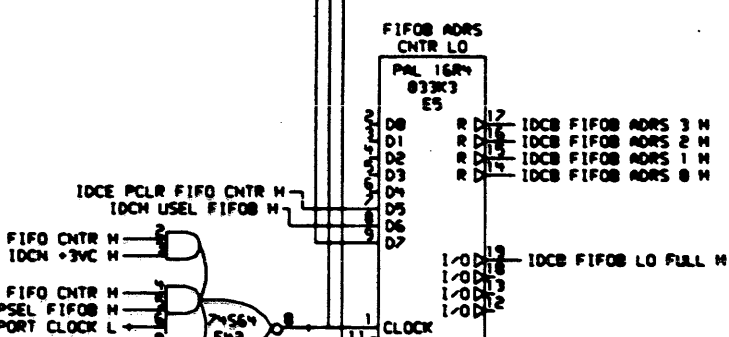
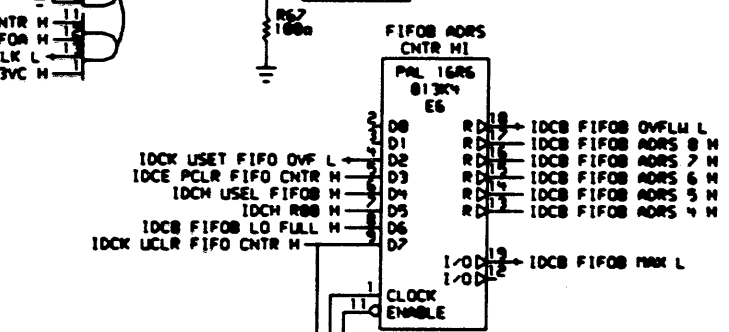
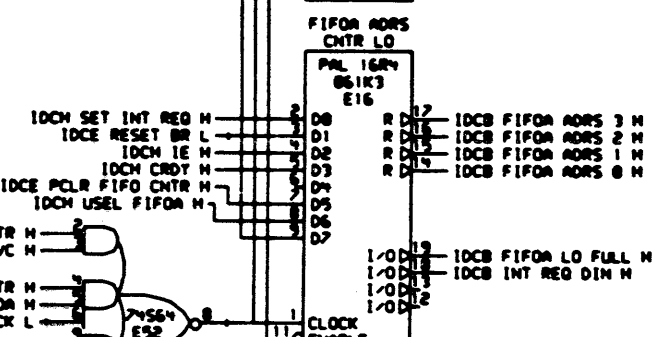
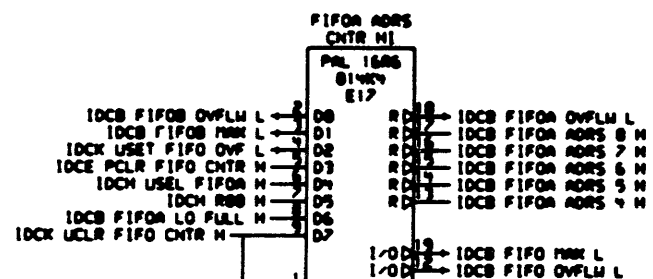
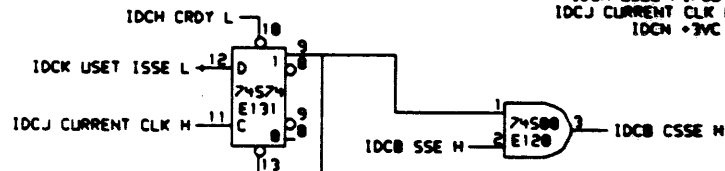
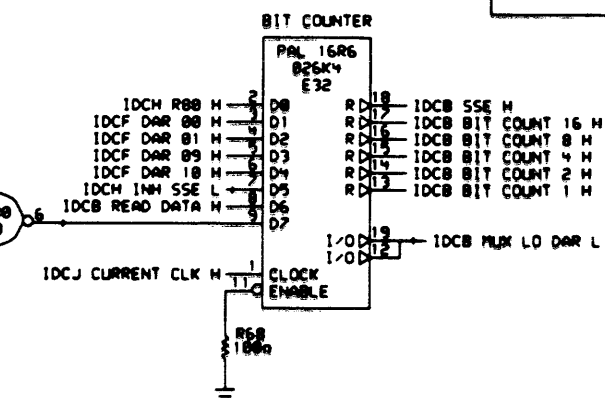
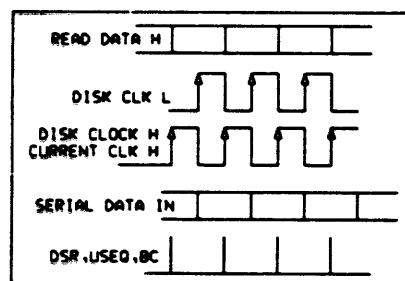
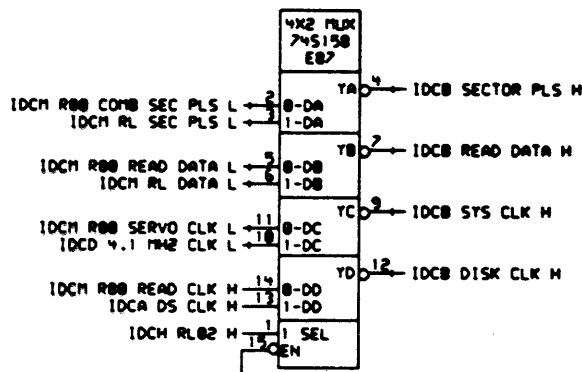
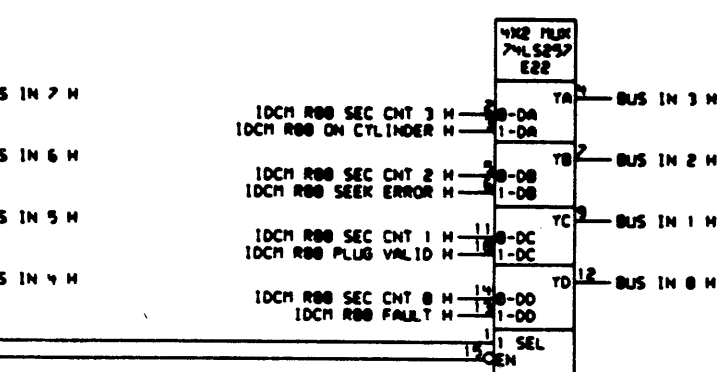
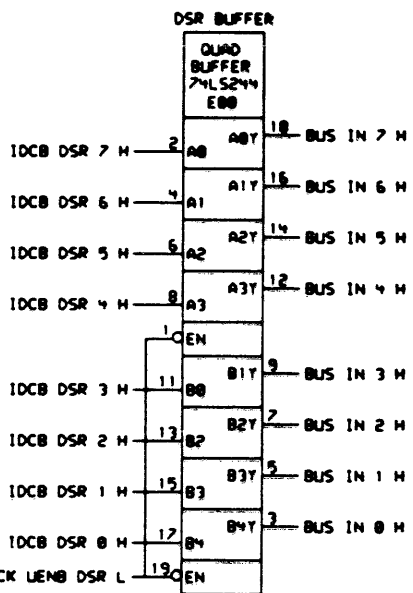
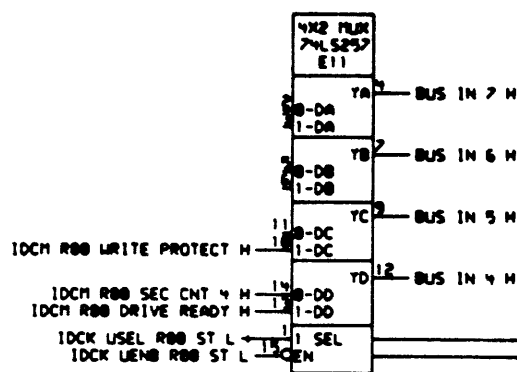
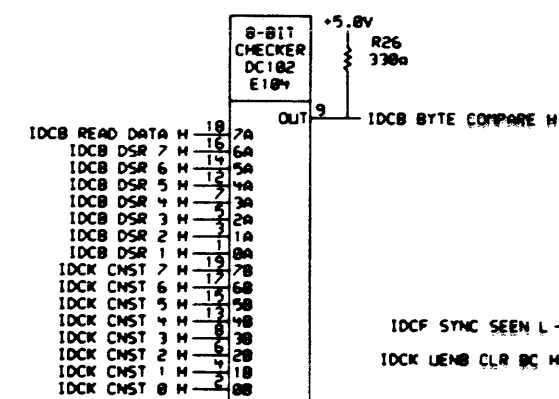
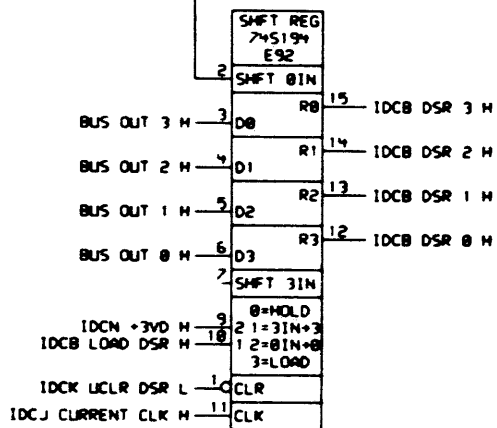
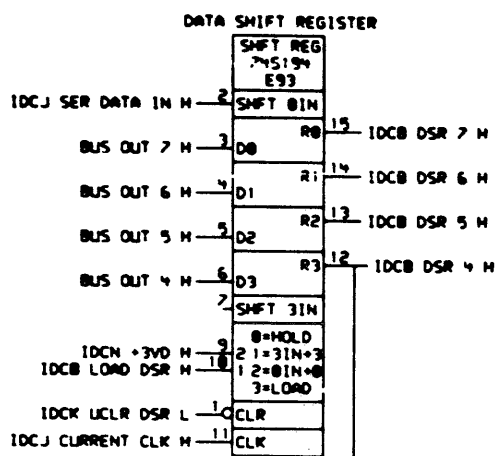
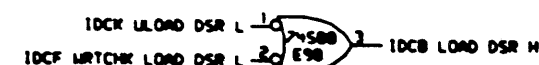
(RL02 DATA SEPARATOR)

G.M. WARNER, (1196,1988) IDCA, DPL, SCALE 2, "D" RELEASE BOX
G.M. WARNER IDCA, PLO, (1196,1988) 10-DEC-81 121735

REVISIONS	
CHK	CHANGE NO. REV

	DRN	DATE	ENG.	DATE	TITLE
	CHK'D.	18-DEC-81			NEBULA INTEGRATED DISK CONTROL (IDCA)
FIRST USED ON OPTION/MODEL: 117730		DATE	LOC'D LOCATION	REV.	
		10-DEC-81 16:57	B-DD-RB730-0	A	
SIZE	CODE	NUMBER	REV.		
D	CS	M8388-0-IDCA	A		

(ROB STATUS)

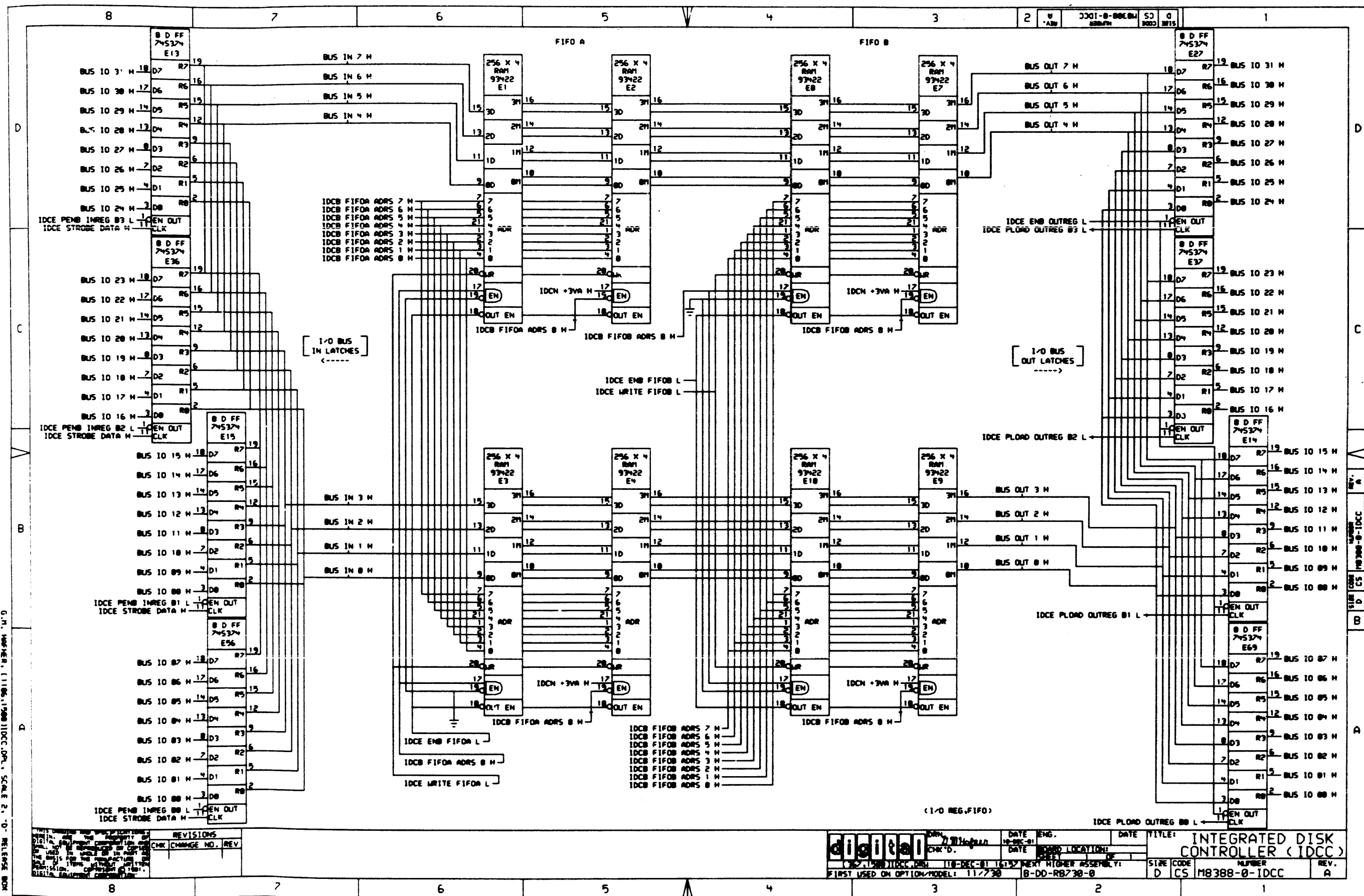


(DSR,ADRES CNTR,ROB STATUS)

G.N. WARNER (1186,1980)IDCB.DRV, SCALE 2, 0 RELEASE BOX G.N. WARNER IDCB.PLDC(1186,1980) 18-DEC-81 12:35

REV	CHANGE NO.	REV

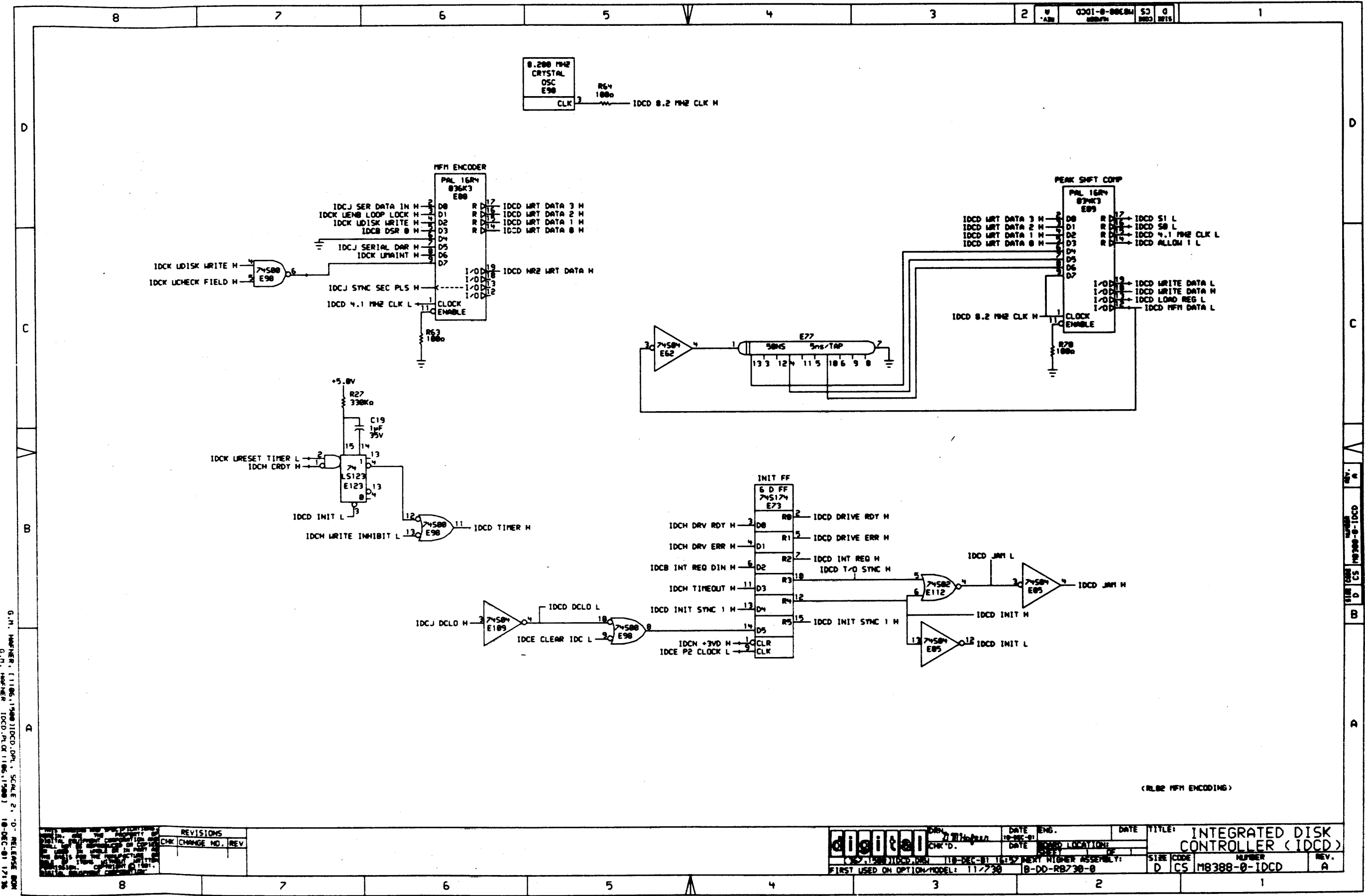
digital	DATE: 18-DEC-81	ENG.:	DATE:	TITLE: INTEGRATED DISK CONTROLLER (IDCB)
18-DEC-81	11-7-80			SIZE: D CS
FIRST USED ON OPTION/MODEL: 11-7-80	18-DEC-81	11-7-80	18-DEC-81	NUMBER: M8388-0-IDCB
				REV: A



G.H. WARNER, (11861500) IDCC D.P., SCALE 2:1, RELEASED BOX
G.H. WARNER IDCC, P.O. (11861500) 18-DEC-81 1736

REVISIONS
CHK CHANGE NO. REV

digital		DATE: 18-DEC-81	ENG.	DATE:	TITLE:
1861500 IDCC D.P.		DATE: 18-DEC-81	LOC.:	DATE:	INTEGRATED DISK CONTROLLER (IDCC)
FIRST USED ON OPTION MODEL: 117730		DATE: 18-DEC-81	BY: B-DD-RB730-0	DATE:	SIZE CODE: D CS M8388-0-IDCC
PART NUMBER: B-DD-RB730-0				DATE:	REV. A

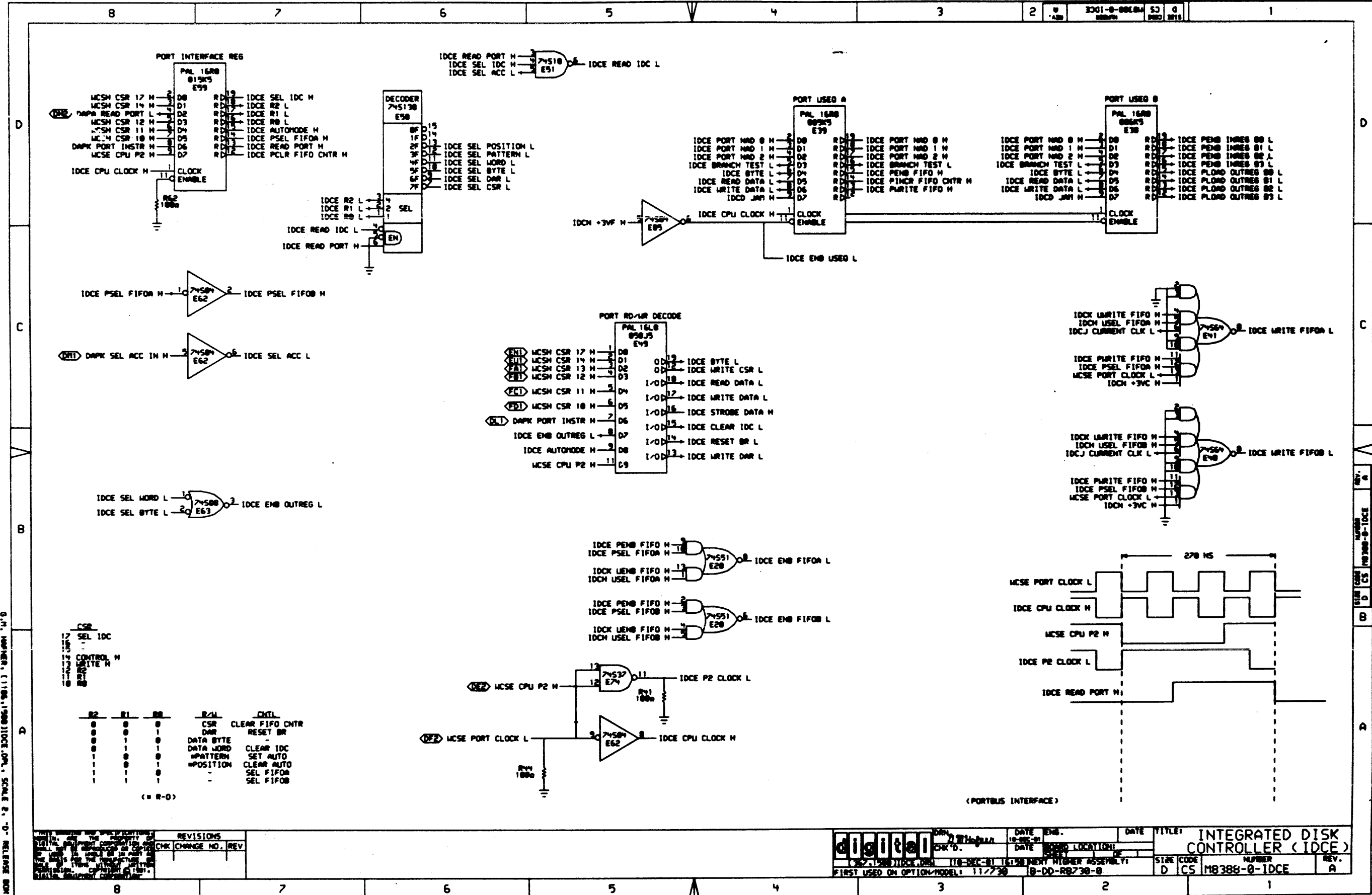


(RLR2 RFM ENCODING)

G.M. HARNER, (1186, 1980) IDCD, DR. 1 SCALE 2, 07 RELEASE 800
 G.M. HARNER, IDCD, PLD (1186, 1980) 18-DEC-81 17136

REVISIONS	
CHK	CHANGE NO. REV

	DATE ENG.	DATE	TITLE: INTEGRATED DISK CONTROLLER (IDCD)
	DATE	DATE	
FIRST USED ON OPTION MODEL: 11/730	18-DO-RB730-0	SIZE CODE: D CS	NUMBER: M8388-0-IDCD



PORT INTERFACE REG
 PAL 16A8 019K5 E99

D8	RD	IDCE SEL IDC H
D7	RD	IDCE R2 L
D6	RD	IDCE R1 L
D5	RD	IDCE R0 L
D4	RD	IDCE AUTOMODE H
D3	RD	IDCE PSEL FIFO H
D2	RD	IDCE READ PORT H
D1	RD	IDCE PCLR FIFO CNTR H
D0	RD	

Inputs: MESH CSR 17 H, MESH CSR 14 H, MESH CSR 12 H, MESH CSR 11 H, MESH CSR 10 H, DAPK PORT INSTR H, MCSE CPU P2 H

IDCE READ PORT H
 IDCE SEL IDC H
 IDCE SEL ACC L

74518 E51

IDCE READ IDC L

DECODER
 745138 E50

15	1	IDCE SEL POSITION L
14	2	IDCE SEL PATTERN L
13	3	IDCE SEL WORD L
12	4	IDCE SEL BYTE L
11	5	IDCE SEL DAR L
10	6	IDCE SEL CSR L

PORT USED A
 PAL 16A8 009K5 E39

D8	RD	IDCE PORT NAD 0 H
D7	RD	IDCE PORT NAD 1 H
D6	RD	IDCE PORT NAD 2 H
D5	RD	IDCE BRANCH TEST L
D4	RD	IDCE BYTE L
D3	RD	IDCE READ DATA L
D2	RD	IDCE WRITE DATA L
D1	RD	IDCE JAM H
D0	RD	

PORT USED B
 PAL 16A8 006K5 E38

D8	RD	IDCE PORT NAD 0 H
D7	RD	IDCE PORT NAD 1 H
D6	RD	IDCE PORT NAD 2 H
D5	RD	IDCE BRANCH TEST L
D4	RD	IDCE BYTE L
D3	RD	IDCE PINCR FIFO CNTR H
D2	RD	IDCE READ DATA L
D1	RD	IDCE WRITE DATA L
D0	RD	IDCE JAM H

IDCE PSEL FIFO H → 74504 E62 → IDCE PSEL FIFO B H

DAPK SEL ACC IN H → 74504 E62 → IDCE SEL ACC L

PORT RD/WR DECODE
 PAL 16LB 050J5 E49

D8	1	IDCE BYTE L
D7	2	IDCE WRITE CSR L
D6	3	IDCE READ DATA L
D5	4	IDCE WRITE DATA L
D4	5	IDCE STROBE DATA H
D3	6	IDCE CLEAR IDC L
D2	7	IDCE RESET BR L
D1	8	IDCE WRITE DAR L
D0	9	
C9	10	

IDCK LWRITE FIFO H
 IDCK USEL FIFO H
 IDCK CURRENT CLK L

74509 E51

IDCE WRITE FIFO L

IDCK LWRITE FIFO H
 IDCK USEL FIFO B H
 IDCK CURRENT CLK L

74509 E50

IDCE WRITE FIFO B L

IDCE SEL WORD L
 IDCE SEL BYTE L

74508 E63

IDCE ENB OUTREG L

IDCE PENB FIFO H
 IDCE PSEL FIFO H

74501 E20

IDCE ENB FIFO A L

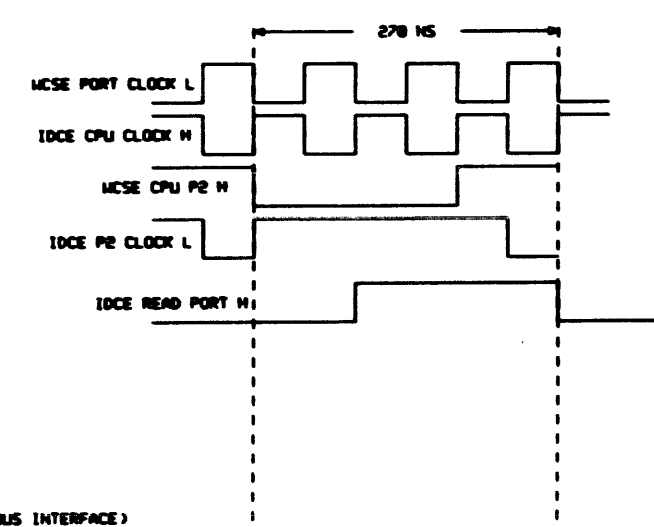
IDCE PENB FIFO H
 IDCE PSEL FIFO B H

74501 E20

IDCE ENB FIFO B L

MCSE CPU P2 H → 74537 E74 → IDCE P2 CLOCK L

MCSE PORT CLOCK L → 74504 E62 → IDCE CPU CLOCK H



CS	R2	R1	R0	R-1	CTRL
17	SEL IDC				CLEAR FIFO CNTR
16					RESET BR
15					
14	CONTROL H				CLEAR IDC
13	WRITE H				SET AUTO
12					CLEAR AUTO
11					SEL FIFO A
10					SEL FIFO B
9					
8					

(= R-0)

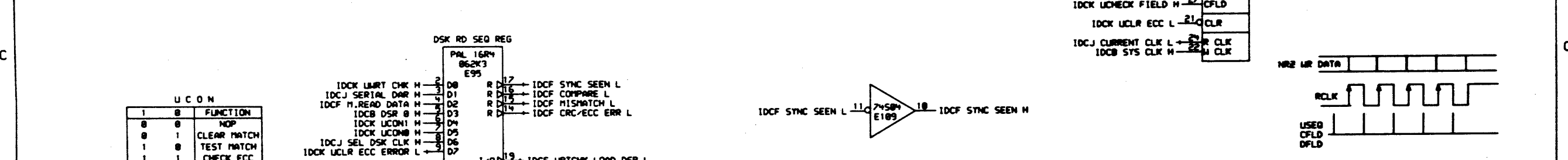
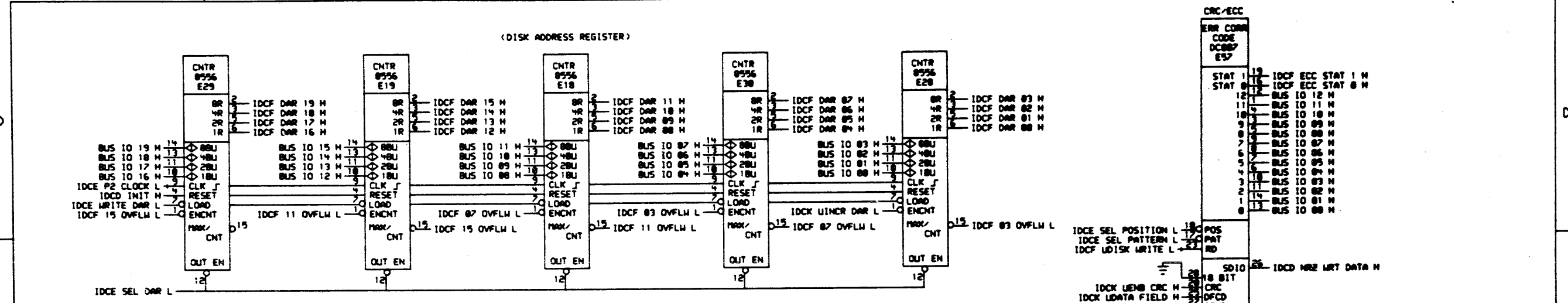
G.N. WARNER, (1108,1980) IDCE CPU, SCALE 2, 0-REL:FACE BOX
 G.N. WARNER IDCE PLO (1108,1980) 18-DEC-81 17:36

REVISIONS	
CHK	CHANGE NO. REV

digital	DATE ENG.	DATE	TITLE
	DATE	DATE	NUMBER
FIRST USED ON OPTION MODEL: 11/73			REV. A

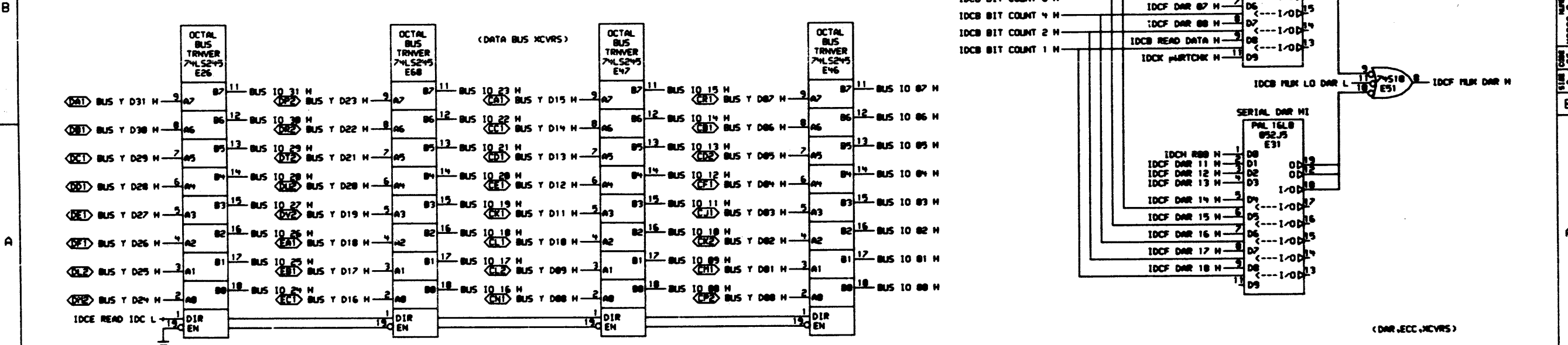
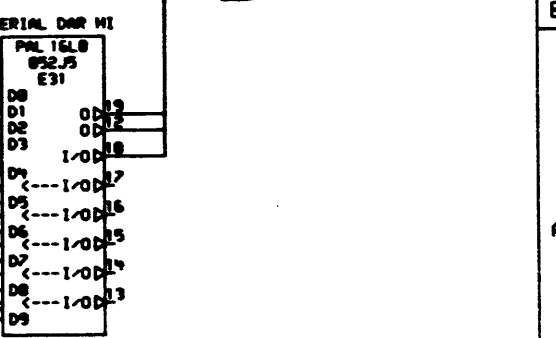
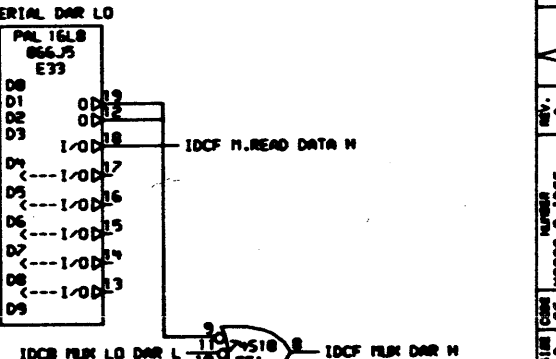
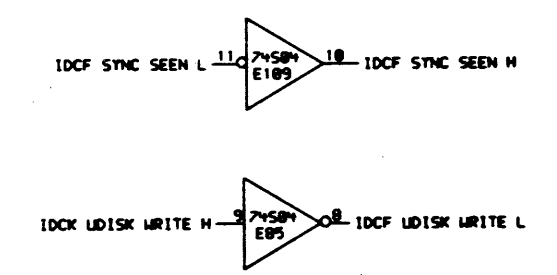
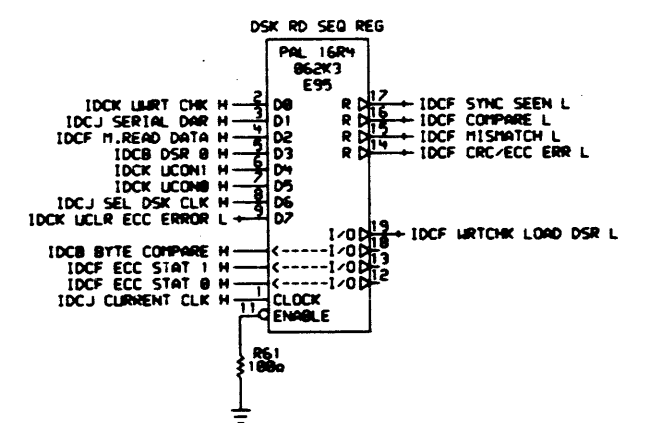
INTEGRATED DISK CONTROLLER (IDCE)

SIZE CODE D CS MB388-0-IDCE

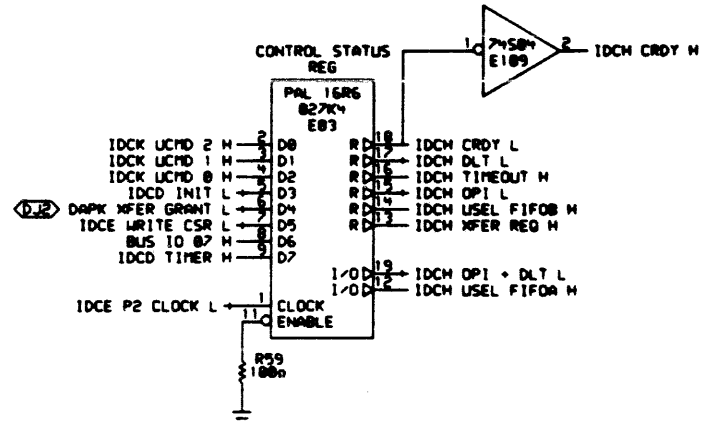
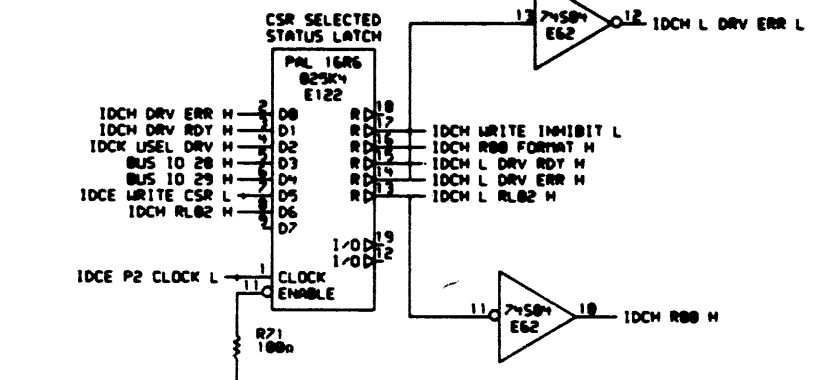
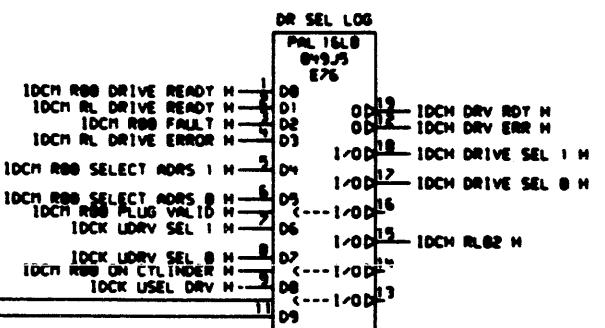
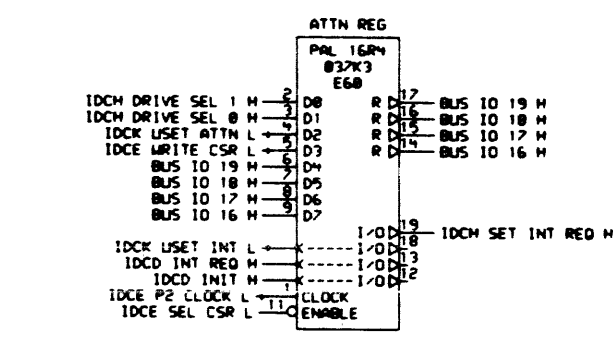
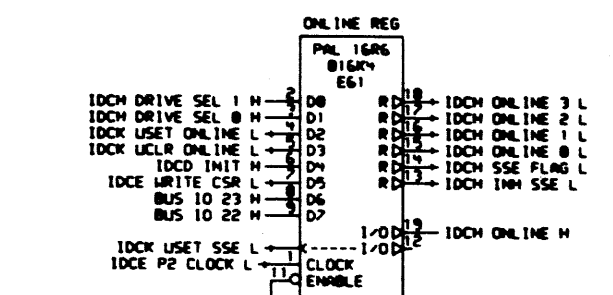
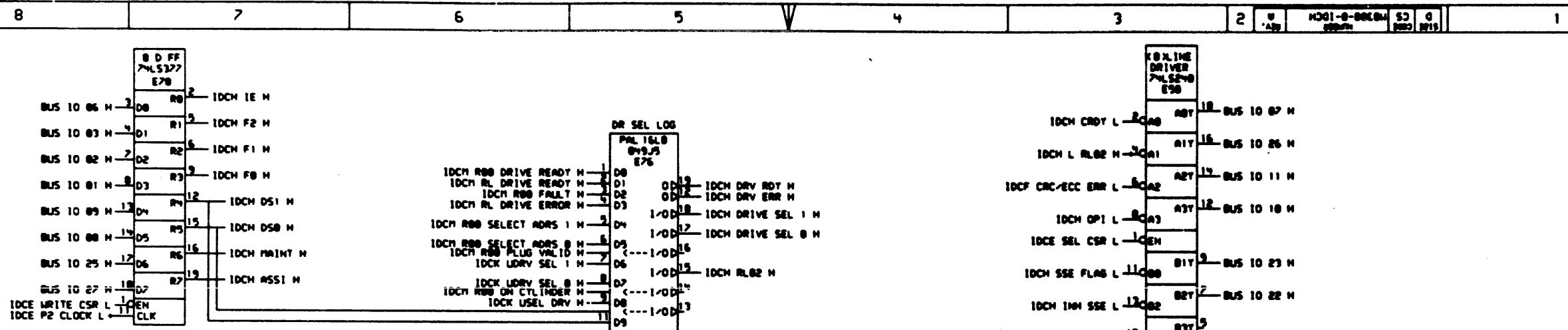


UCON

1	0	FUNCTION
0	0	NOP
0	1	CLEAR MATCH
1	0	TEST MATCH
1	1	CHECK ECC

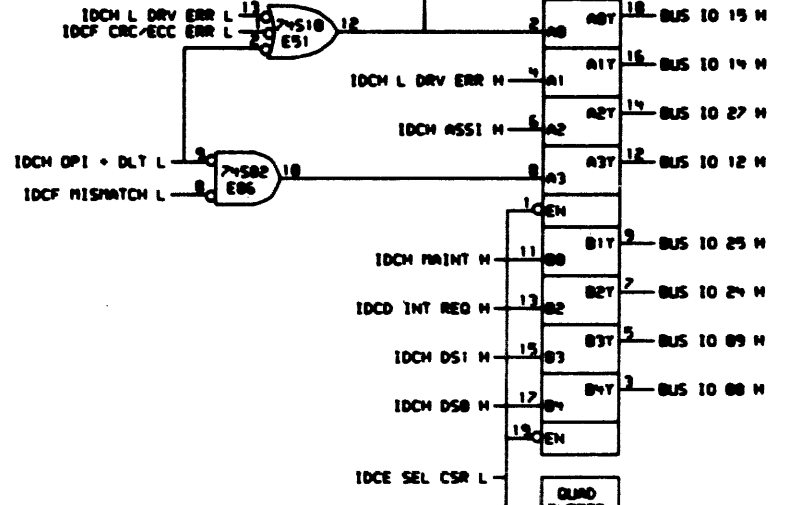
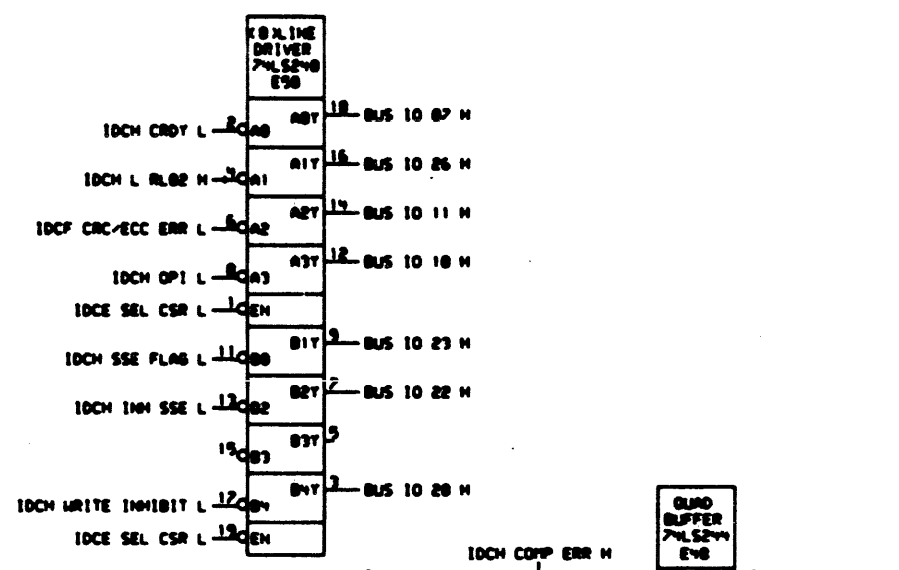


G.M. WARNER, (1186-1980) IDCF DPL, SCALE 2, 70-RELEASE BOX
 G.M. WARNER, IDCF, PLD (1186-1980) 18-DEC-81 17:37



UCMD

2	1	0	
0	0	0	NOP
0	0	1	SET CRDY
0	1	0	SET OPI
0	1	1	SET DLT
1	0	0	SET XFER ROST
1	0	1	SET FIF0A
1	1	0	CHG FIF0
1	1	1	CLR T/O



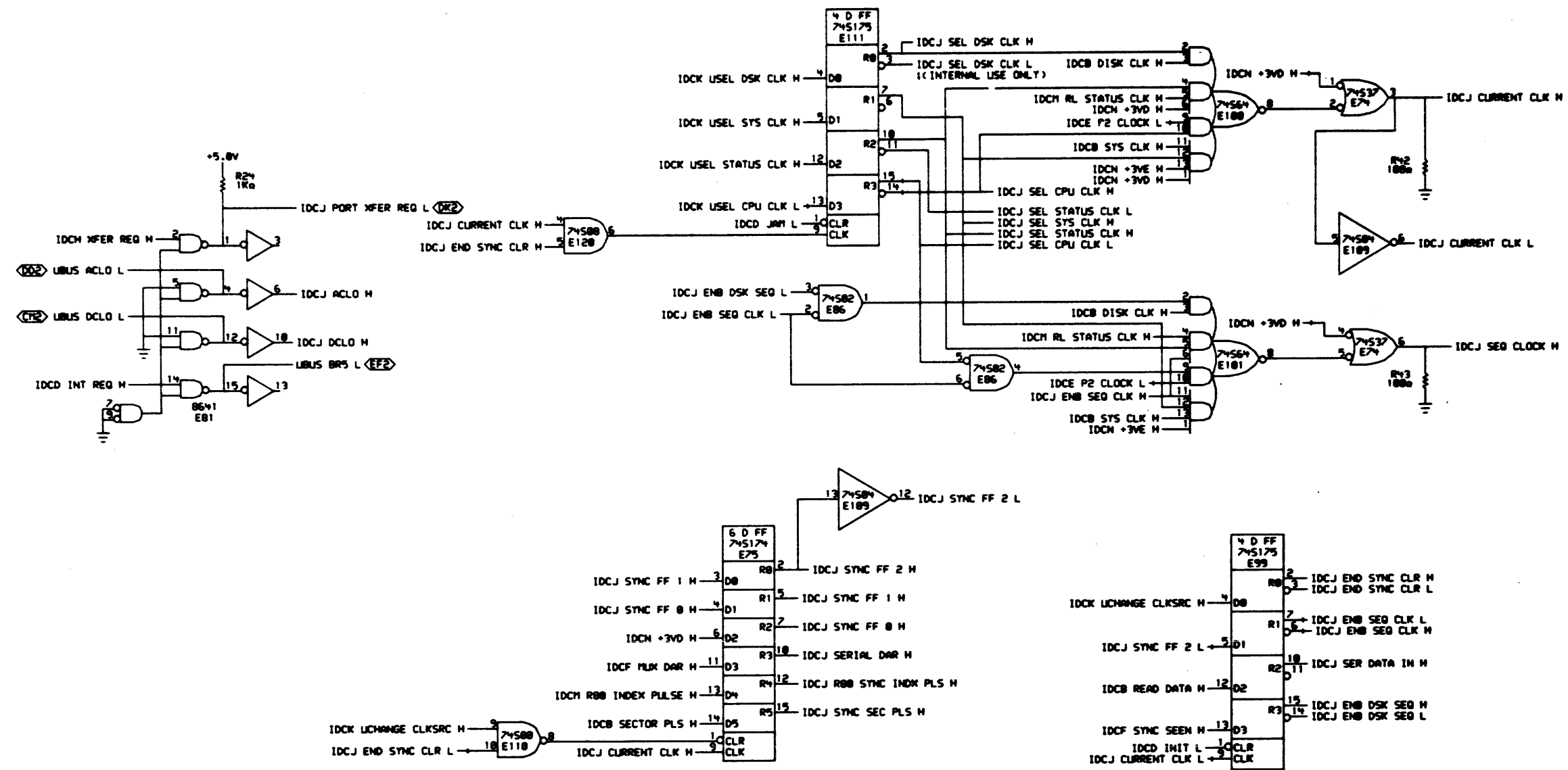
(CONTROL STATUS REGISTER)

G.M. WARNER, (1118611900) IDCH DPL, SCALE 2, "D" RELEASE BOX

THIS DRAWING AND SPECIFICATIONS HEREIN ARE THE PROPERTY OF DIGITAL EQUIPMENT CORPORATION AND SHALL NOT BE REPRODUCED OR COPIED IN ANY MANNER WITHOUT THE WRITTEN PERMISSION OF DIGITAL EQUIPMENT CORPORATION.

REVISIONS	
CHK	CHANGE NO. REV

digit		DATE ENG. 10-DEC-81	DATE 10-DEC-81	TITLE: INTEGRATED DISK CONTROLLER (IDCH)
110-DEC-81 16:48		DATE 10-DEC-81	DATE 10-DEC-81	SIZE CODE NUMBER REV. D CS M0388-0-IDCH A
FIRST USED ON OPTION/MODEL: 11/730		NEXT HIGHER ASSEMBLY: B-DD-RB730-0		

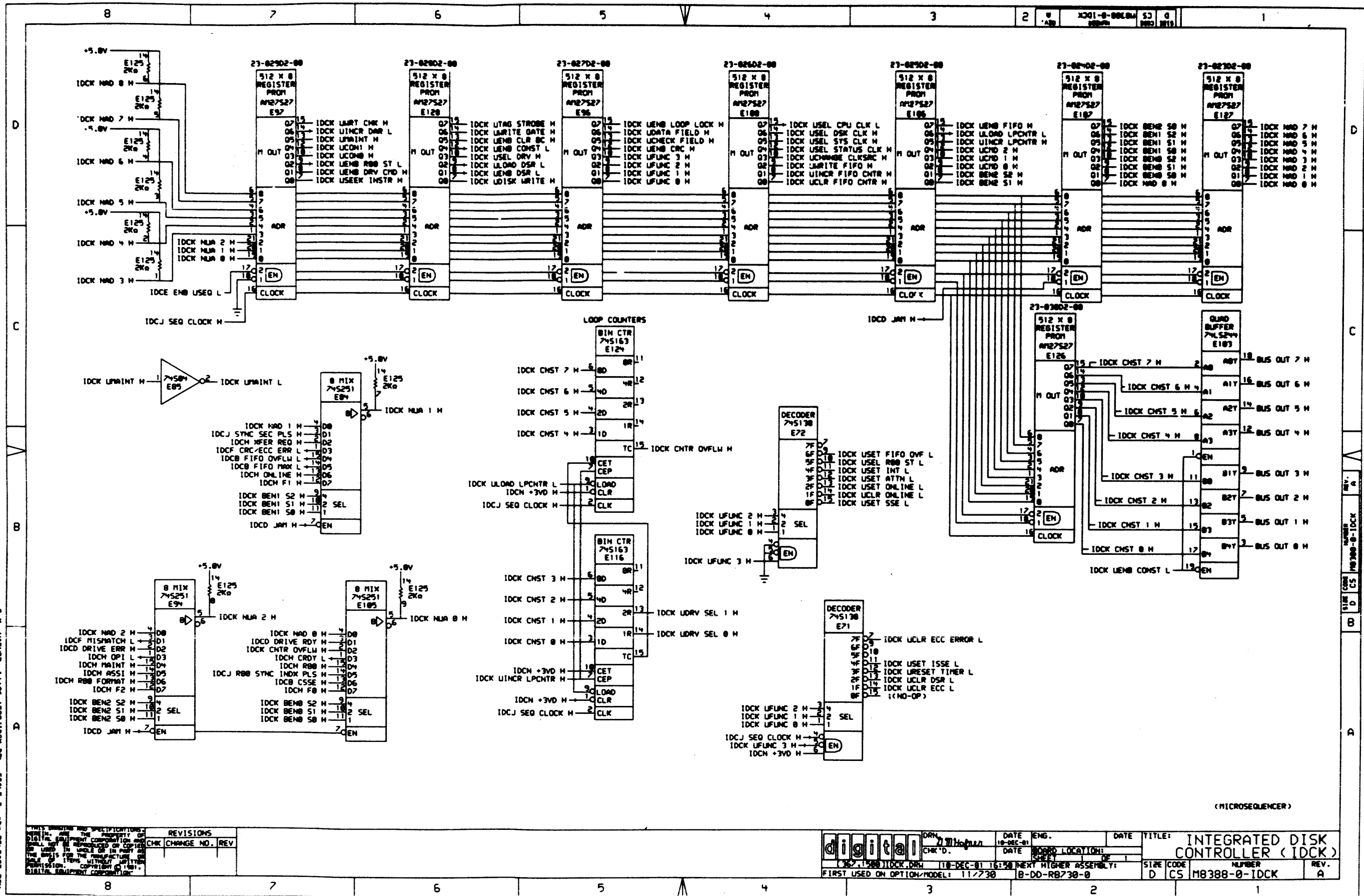


(CLOCK SYNC & INTERRUPT)

REVISIONS	CHG	NO.	REV.

		DATE ENG. 10-22-81 DATE 11-23-81 DATE 11-23-81	DATE 11-23-81 DATE 11-23-81 DATE 11-23-81	TITLE: INTEGRATED DISK CONTROLLER (IDCJ)
FIRST USED ON OPTION MODEL: 11/230	NEXT HIGHER ASSEMBLY: 18-DO-R8730-0	SIZE CODE D CS	NUMBER M8388-0-IDCJ	REV. A

O.M. WARNER, (1186,1500)IDCJ.DP, SCALE 2:1, RELEASE BOX
 O.M. WARNER, IDCJ.PLC(1186,1500) 18-DEC-81 17:37



G.N. WARNER, (1106,1980) IDCK.DRW, SCALE 2:0, RELEASE BOX
 G.N. WARNER, (1106,1980) IDCK.PLO (1106,1980) 18-DEC-81 17137

REV.	DATE	BY	DESCRIPTION
1	18-DEC-81	G.N. WARNER	INITIAL RELEASE

REV.	DATE	BY	DESCRIPTION
1	18-DEC-81	G.N. WARNER	INITIAL RELEASE

REV.	DATE	BY	DESCRIPTION
1	18-DEC-81	G.N. WARNER	INITIAL RELEASE

REV.	DATE	BY	DESCRIPTION
1	18-DEC-81	G.N. WARNER	INITIAL RELEASE

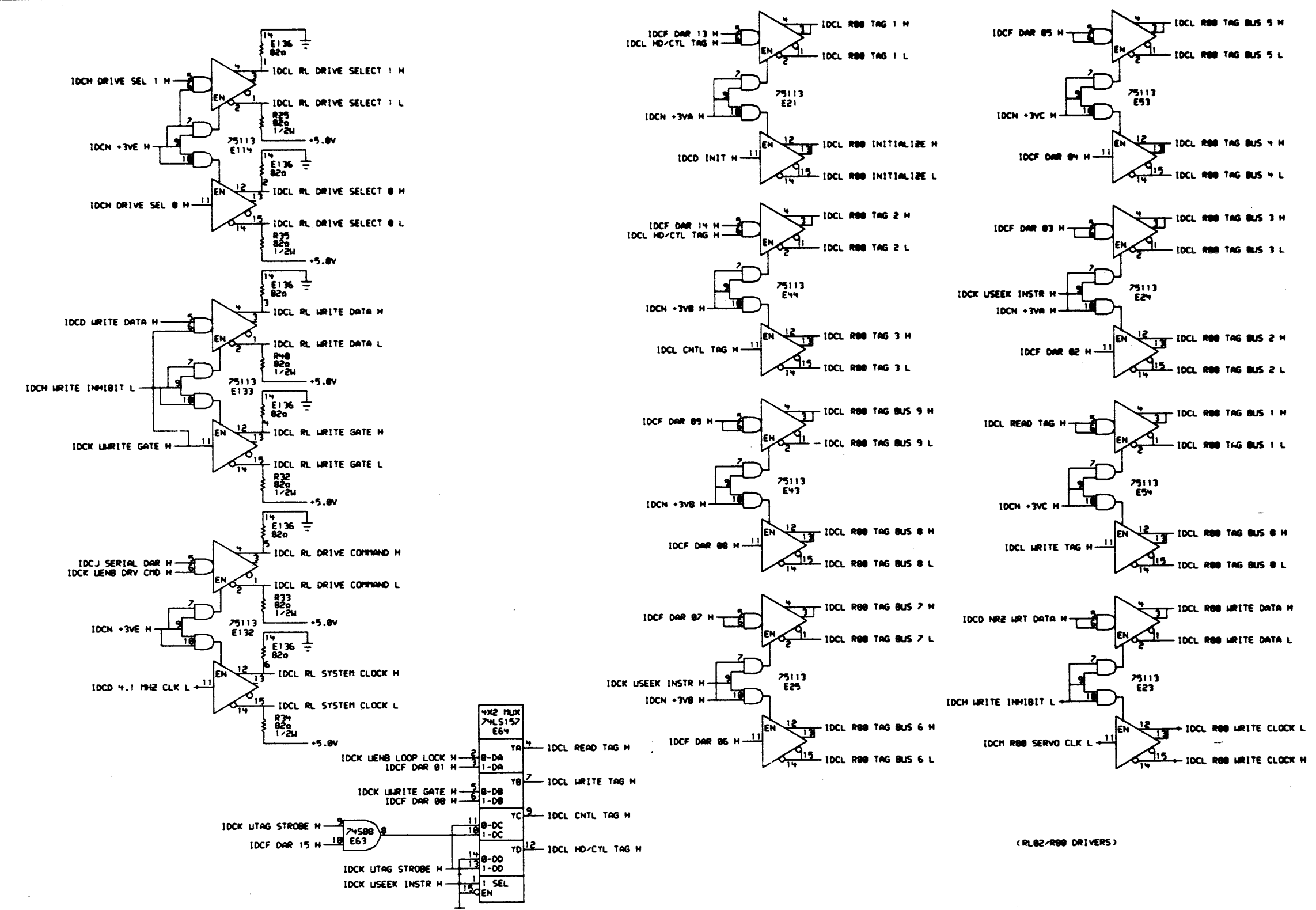
REV.	DATE	BY	DESCRIPTION
1	18-DEC-81	G.N. WARNER	INITIAL RELEASE

REV.	DATE	BY	DESCRIPTION
1	18-DEC-81	G.N. WARNER	INITIAL RELEASE

REV.	DATE	BY	DESCRIPTION
1	18-DEC-81	G.N. WARNER	INITIAL RELEASE

REV.	DATE	BY	DESCRIPTION
1	18-DEC-81	G.N. WARNER	INITIAL RELEASE

digital DRN: J. Hoffman DATE ENG: 18-DEC-81 DATE TITLE: INTEGRATED DISK CONTROLLER (IDCK)
 10-DEC-81 DATE BOARD LOCATION: SIZE CODE NUMBER REV.
 FIRST USED ON OPTION/MODEL: 11/730 B-DD-RB730-0 D CS M8388-0-IDCK A



(R00/R00 DRIVERS)

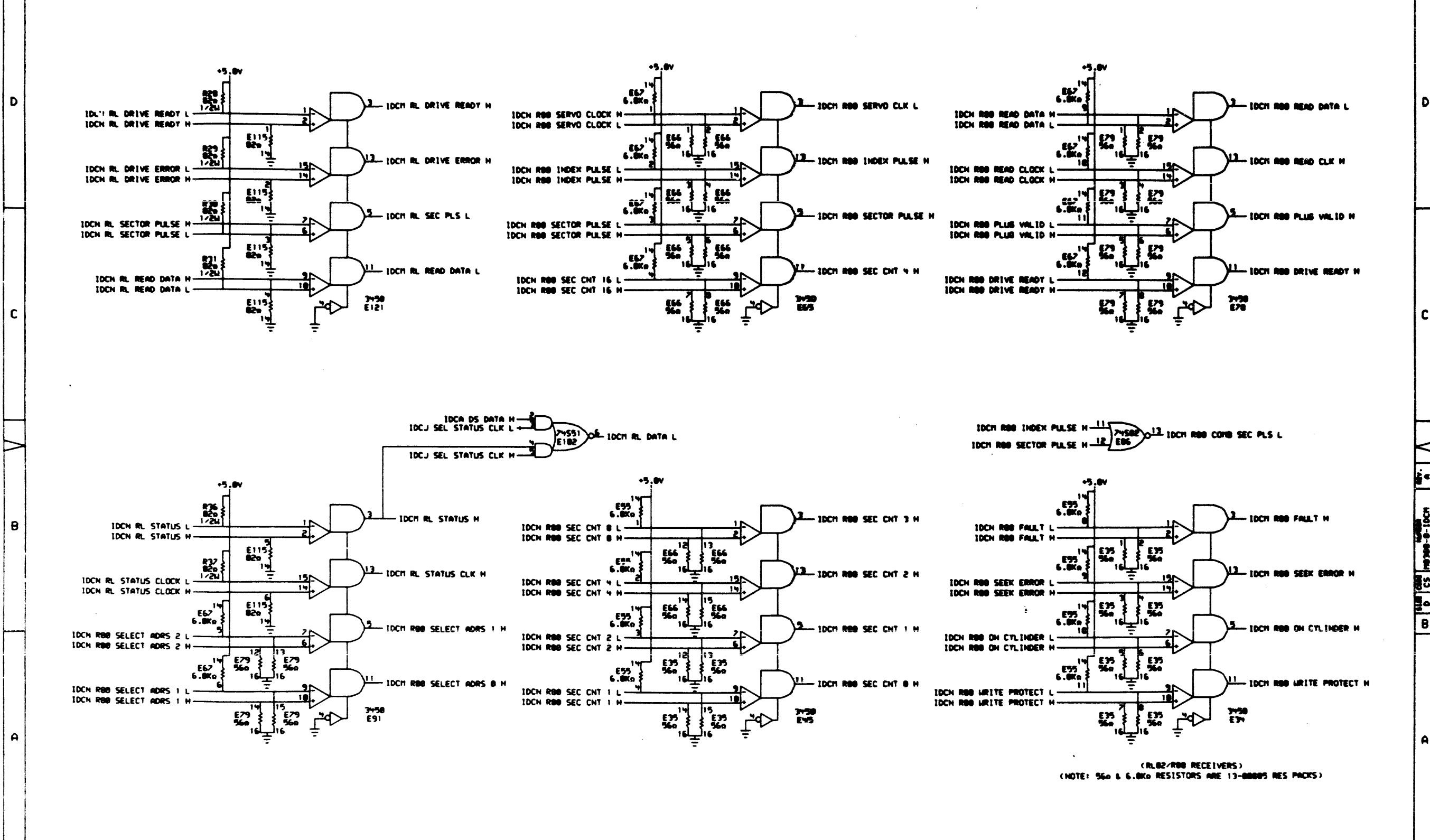
G.M. WARNER, (1186, 1988) IDCL.DRW, SCALE 2, "D" RELEASE BOX
 G.M. WARNER IDCL.PLC(1186, 1988) 18-DEC-81 17:38

REV. A
 NUMBER 18388-0-IDCL
 CS D CS
 BOARD LOCATION 1

REV. NO.	DATE	DESCRIPTION
1		

CHG. NO.	REV.	DESCRIPTION

	DRN	DATE	ENG.	DATE	TITLE:
	CHK'D.	10-DEC-81	J.M. Hoffman		INTEGRATED DISK CONTROLLER (IDCL)
FIRST USED ON OPTION/MODEL: 11/730		NEXT HIGHER ASSEMBLY: B-DD-RB730-0		SIZE	CODE
				D	CS
				M8388-0-IDCL	REV. A

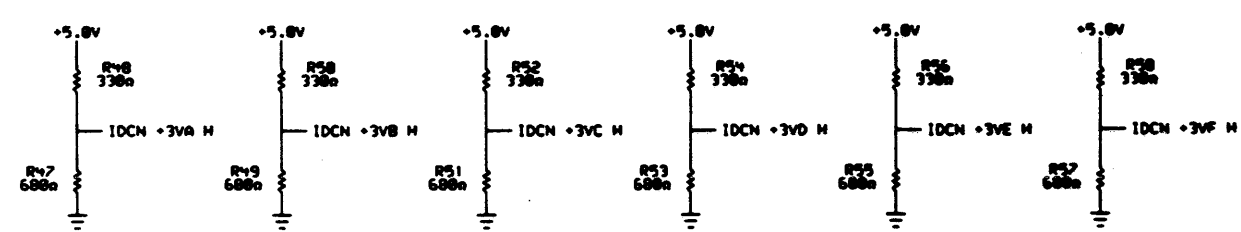
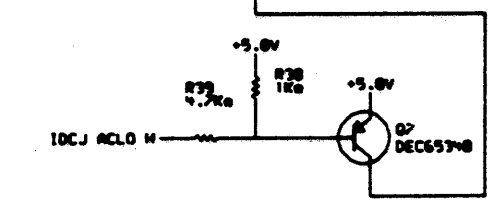
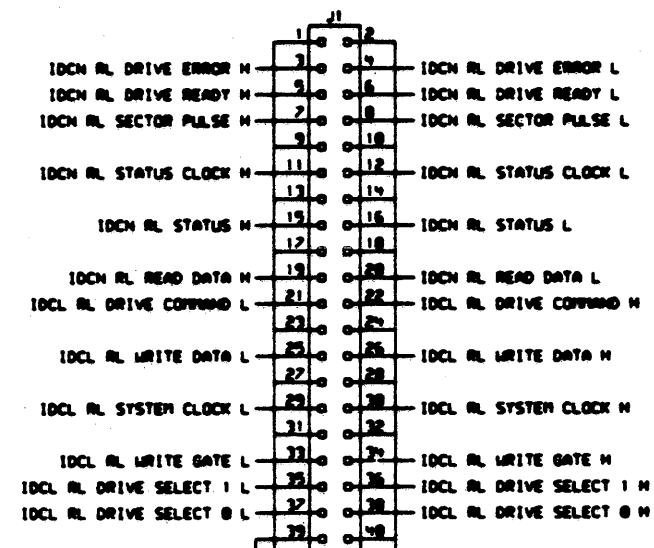
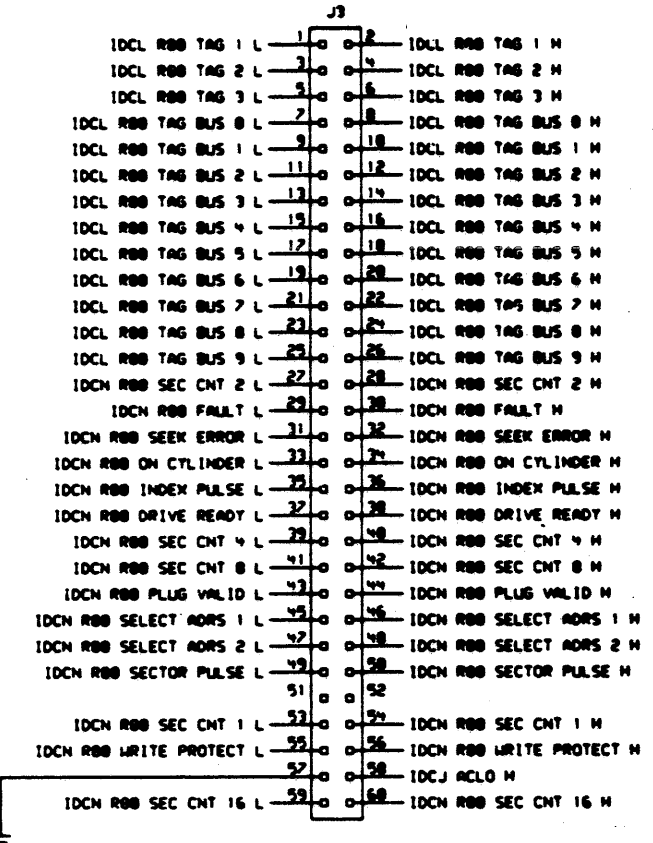
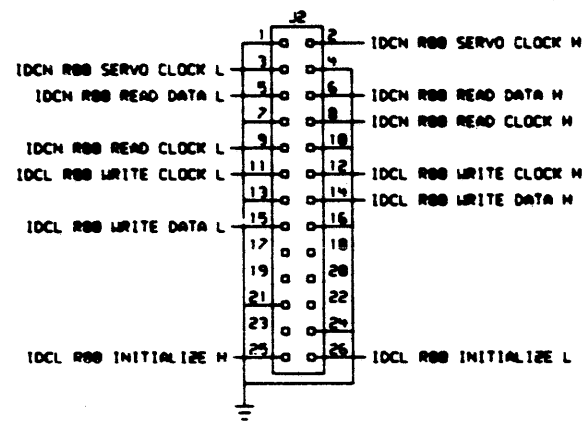


CS
 D
 M8388-0-IDCM
 REV. 4

D.M. HARNER, [1186-1900] IDCM.DRN, SCALE 2: -D- RELEASE BOX
 D.M. HARNER [IDCM.FLDR] 1186-1900 18-DEC-81 17:38

REVISIONS	
CHK	CHANGE NO. REV.

digital	DATE ENG. 19-DEC-81	DATE 11-DEC-81	DATE 11-DEC-81	TITLE: INTEGRATED DISK CONTROLLER (IDCM)
	CHECK'D. DATE	DATE	DATE	
FIRST USED ON OPTION/MODEL: 11/27/80 18-DO-RB/30-0			SIZE CODE	NUMBER
			D CS	M8388-0-IDCM
				REV. A



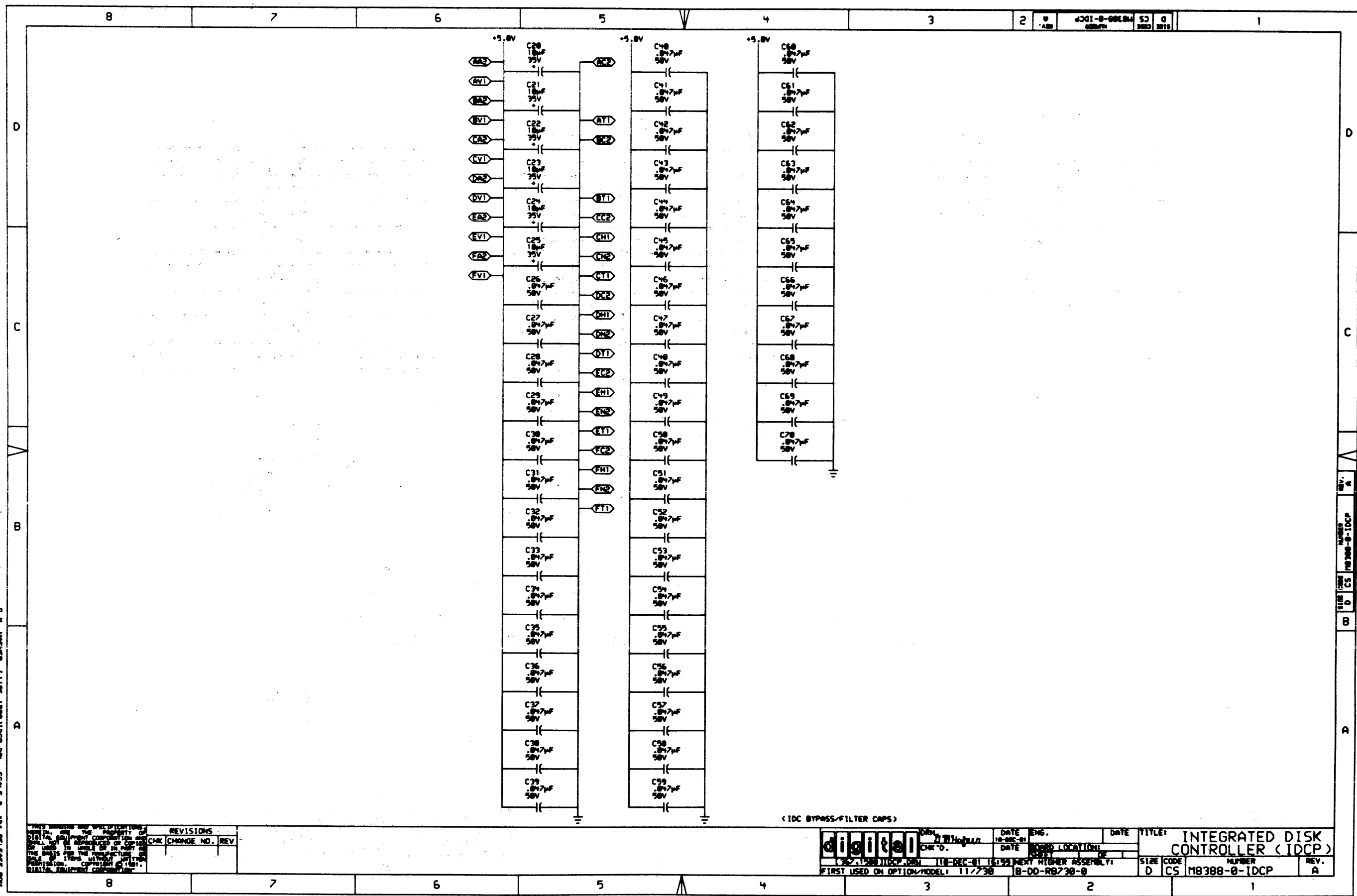
(DISK CABLE CONNECTORS:
3V DIVIDER NETWORKS)

G.M. WARNER (1186,1500) IDCN, PLOT, SCALE 2, 0, 0, RELEASE 80M
G.M. WARNER IDCN, PLOT, SCALE 2, 0, 0, RELEASE 81, 17, 18

REVISIONS	
CHK	CHANGE NO. REV.

digital	DATE ENG. 18-DEC-81	DATE	TITLE: INTEGRATED DISK CONTROLLER (IDCN)
	DATE MICRO LOCATION: 118-DEC-81 16:59 NEXT HIGHER ASSEMBLY: 18-DEC-81 16:59	DATE	SIZE CODE D CS
FIRST USED ON OPTION MODEL: 11/7/80	18-DEC-81 16:59	18-DO-R0730-0	NUMBER M8388-0-IDCN
			REV. A

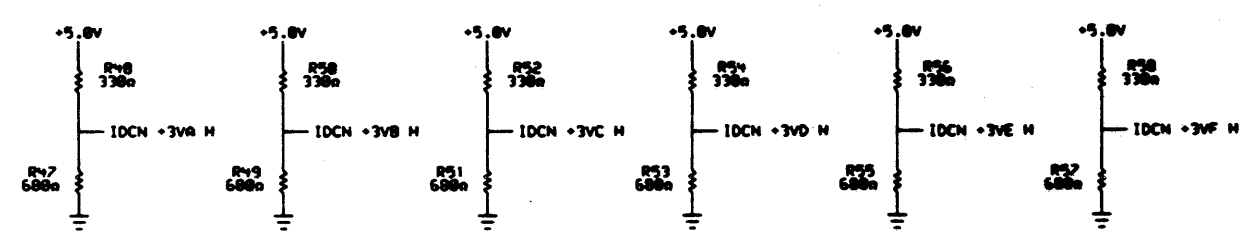
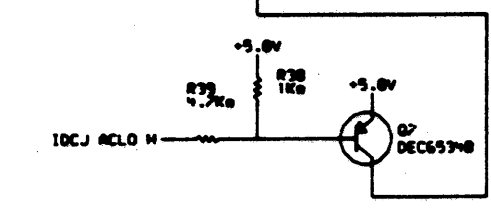
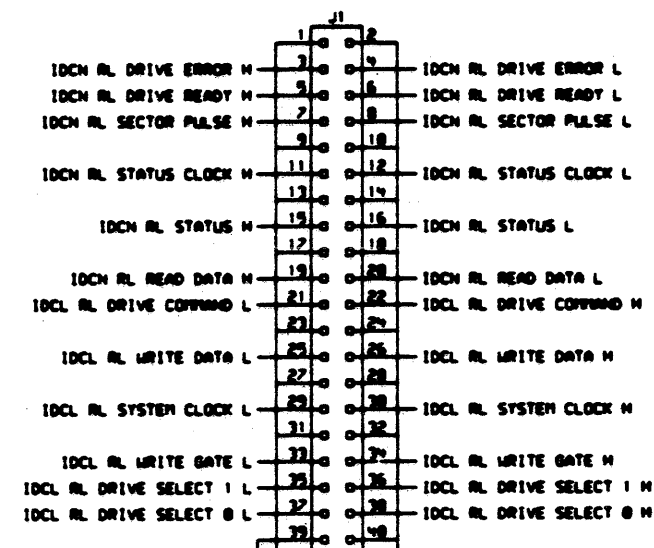
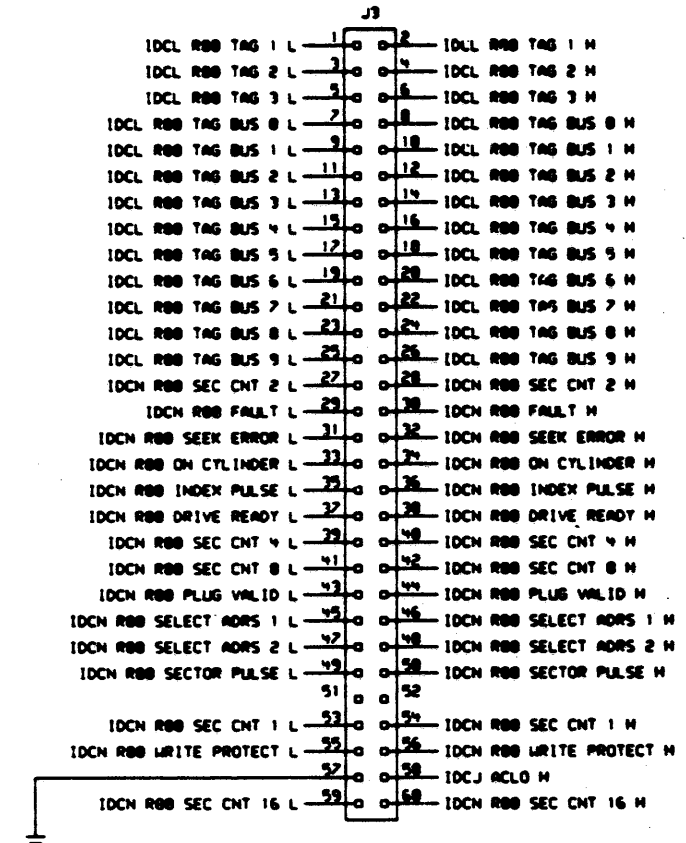
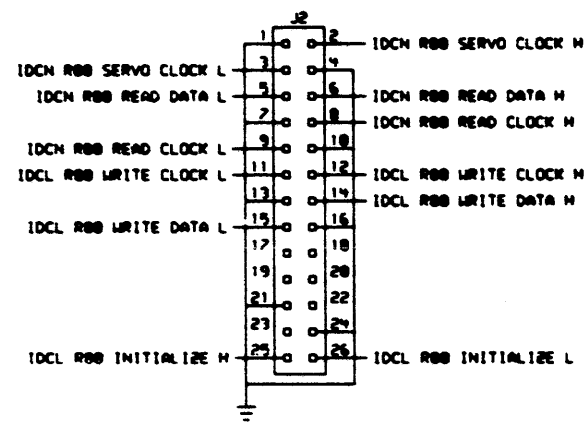
G.M. WARNER, (1186,1190)IDCP, DPL, SCALE 2, "D" RELEASED BOX
 G.M. WARNER IDCP, PLOT (1186,1190) 18-DEC-81 12:19



(IDC BYPASS/FILTER CAPS)

REVISIONS	
CHK	CHANGE NO. REV

digital	DATE ENG. 18-DEC-81	DATE 18-DEC-81	TITLE: INTEGRATED DISK CONTROLLER (IDCP)
	DATE 18-DEC-81	DATE 18-DEC-81	SIZE CODE D CS
FIRST USED ON OPTION/MODEL: 11/730		118-DEC-81 16:59 NEXT HIGHER ASSEMBLY: 18-DD-RB730-0	NUMBER M8388-0-IDCP

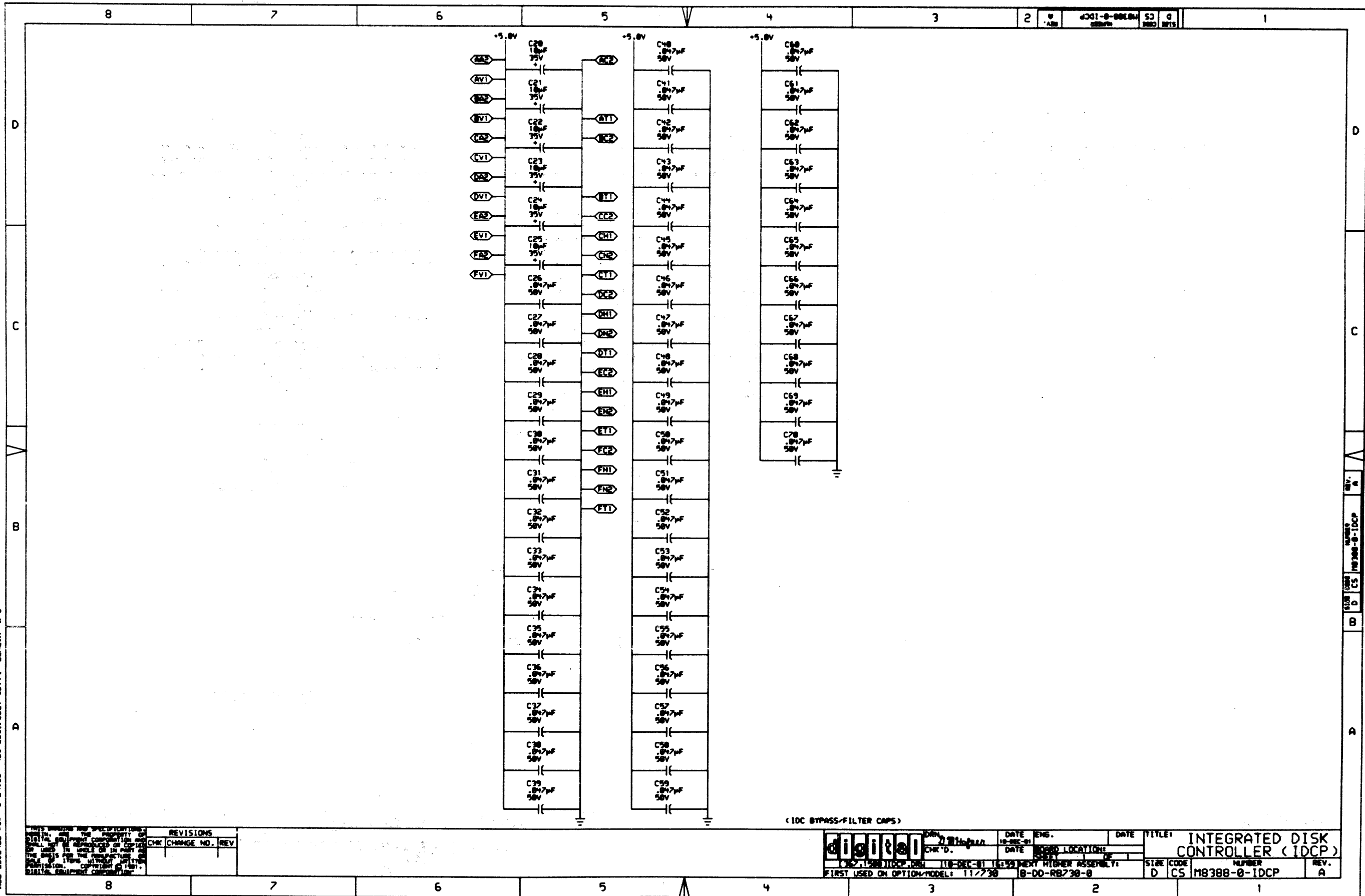


(DISK CABLE CONNECTORS:
3V DIVIDER NETWORKS)

G.M. WARNER (1186, 1588) IDCN, DPL, SCALE 2, "D" RELEASE BOX
G.M. WARNER IDCN, PLO, (1186, 1588) 18-DEC-81 17138

REVISIONS	
CMK	CHANGE NO. REV.

	DATE ENG. 10-02-81	DATE	TITLE: INTEGRATED DISK CONTROLLER (IDCN)
	DATE 11-27-81	DATE	SIZE CODE D CS
352,1588 IDCN, DPL FIRST USED ON OPTION MODEL: 11/730	18-DEC-81 16:59 NEXT HIGHER ASSEMBLY: 18-DD-RB730-0	NUMBER M8388-0-IDCN	REV. A



G.M. WARNER, [1186, 1988] IDCP, DR., SCALE 2, "D" RELEASE BOX
 G.M. WARNER [DCP, PLO, 1186, 1988] 18-DEC-81 17:39

REVISIONS	
CHK	CHANGE NO. REV

digital	DATE ENG. 10-28-81	DATE	TITLE: INTEGRATED DISK CONTROLLER (IDCP)
	DATE 11-17-81	DATE	
FIRST USED ON OPTION/MODEL: 11/730			

SIZE	CODE	NUMBER	REV.
D	CS	M8388-0-IDCP	A

DIGITAL EQUIPMENT CORPORATION MAYNARD, MASSACHUSETTS PARTS LIST					QUANTITY / VARIATION					
MADE BY <i>F. Carberry</i>		CHECKED <i>F. Carberry</i>		SECTION 1						
DATE <i>2 JUN 76</i>		DATE <i>2 JUN 76</i>								
ENG <i>Robert Lee</i>		PROD <i>R.J. Smith</i>		ISSUED SECT. 1						
DATE <i>12 Apr 77</i>		DATE <i>12 APR 77</i>								
ITEM NO.	DWG NO. / PART NO.	DESCRIPTION								
1	1212691-00	PLUG, UNIT SELECT (Ø)			1					
2	1212691-01	PLUG, UNIT SELECT (1)			1					
3	1212691-02	PLUG, UNIT SELECT (2)			1					
4	1212691-03	PLUG, UNIT SELECT (3)			1					
NOTE:		THE ABOVE ITEMS SHALL BE BAGGED TOGETHER TO FORM A KIT								
TITLE		ASSY NO.		SIZE CODE		NUMBER		REV.		ECO NO.
UNIT SELECT PLUG KIT		<i>SS</i>		A PL		7012938-0-0		*		
		SHEET 1 OF 1		DIST.						